

RECESSED MOUNT

Specification

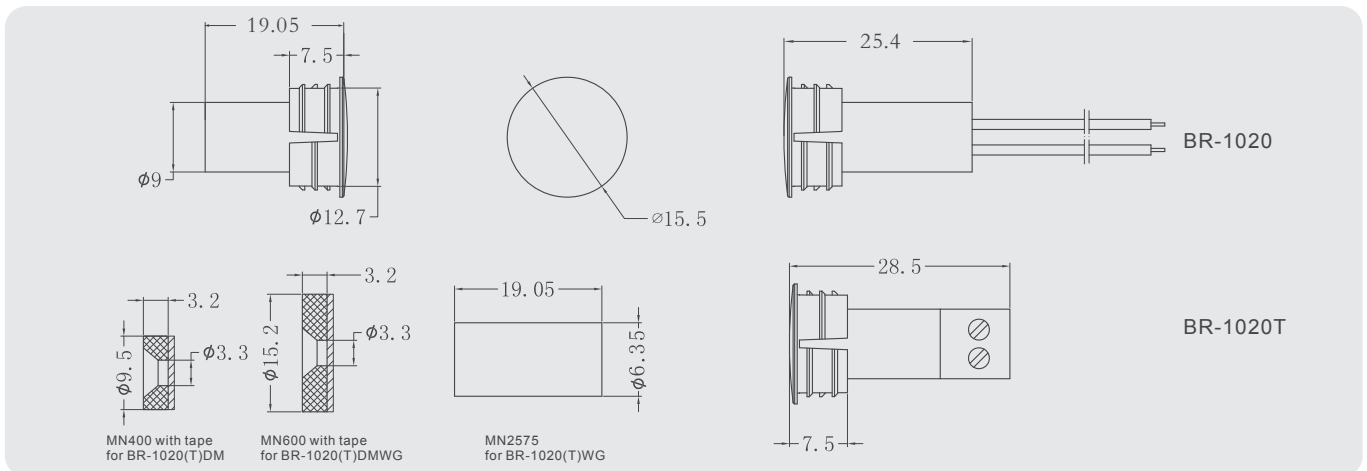
- ◀ 1/2" diameter miniature flush mounting
- ◀ Press or Snap fit
- ◀ Standard 18" #22AWG Leads
- ◀ Terminal block for quick connecting(BR-1020T)
- ◀ Special leads upon request
- ◀ Switch or magnet are available separately
- ◀ Resistor, Diode and Supervisory Loop available on request
- ◀ Colors: White, Brown, Grey

BR-1020



Dimension

(Unit:mm)



Order Information

Part Number	Loop Type	Reed Form	Closed Gap [Inch(mm)]	Departure Gap [Inch(mm)]	Maximum Initial Contact Resistance (Ohm)	Maximum Contact Rating (W)	Maximum Switching Voltage (VDC /VAC)	Maximum Switching Current (A)	Certification
BR-1020(T)	Closed	N/O	3/4(19)	0.8 (20)	0.20	10	100	0.5	
BR-1020(T)DM	Closed	N/O	5/8(15)	0.7 (17)	0.20	10	100	0.5	
BR-1020(T)DMWG	Closed	N/O	0.85(22)	0.9 (23)	0.20	10	100	0.5	
BR-1020(T)WG	Closed	N/O	1(25)	1.1 (27)	0.20	10	100	0.5	
BR-1020(T)A	Open	N/C		0.8 (20)	0.20	3	30	0.2	
BR-1020C	Open/ Closed	SPDT		0.8 (20)	0.20	3	30	0.2	

RECESSED MOUNT

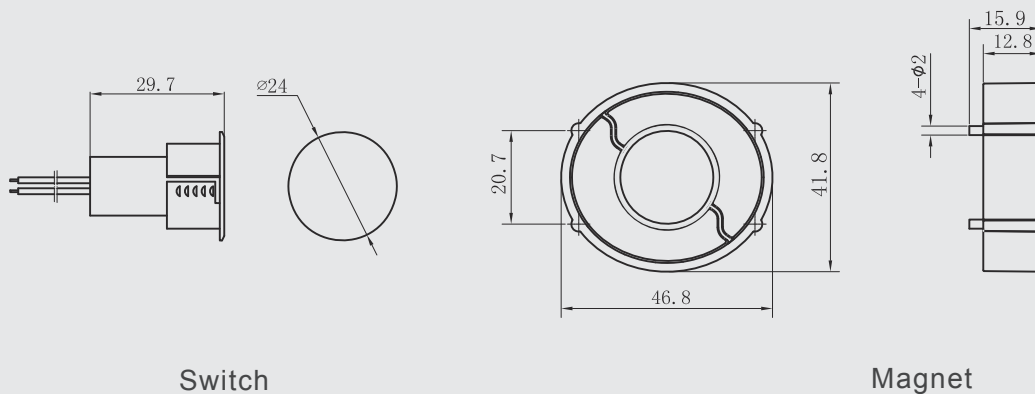
Specification

- ◀ 3/4" diameter Press to fit
- ◀ Flexible Magnet for metal entry/Exit door with a channel
- ◀ Standard 18" #22AWG Leads
- ◀ Special leads upon request
- ◀ Switch or magnet are available separately
- ◀ Resistor, Diode and Supervisory Loop available on request
- ◀ Colors: White, Brown, Grey



Dimension

(Unit:mm)



Order Information

Part Number	Loop Type	Reed Form	Closed Gap [Inch(mm)]	Departure Gap [Inch(mm)]	Maximum Initial Contact Resistance (Ohm)	Maximum Contact Rating (W)	Maximum Switching Voltage (VDC /VAC)	Maximum Switching Current (A)	Certification
BR-1021DCM	Closed	N/O	1(25)	1.05(27)	0.20	10	100	0.5	
BR-1021DCMA	Open	N/C	3/4(19)		0.20	3	30	0.2	
BR-1021DCMC	Open/Closed	SPDT	3/4(19)		0.20	3	30	0.2	

RECESSED MOUNT

Specification

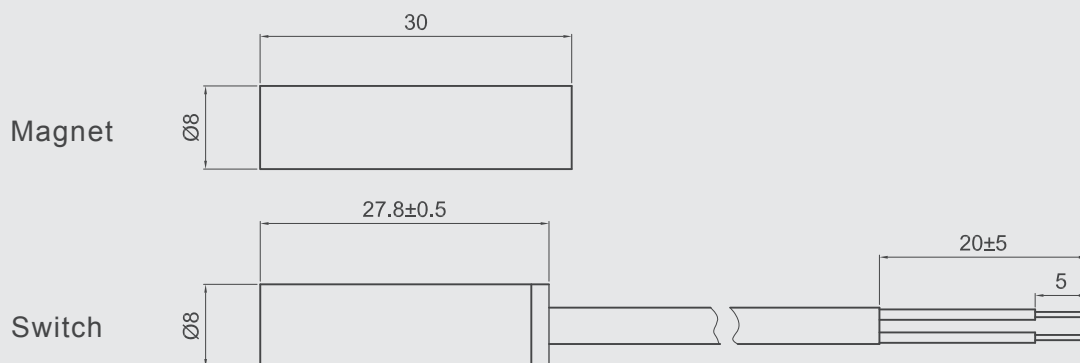
- ◀ Recessed Contact with Alnico magnet
- ◀ Jacked cable: 2,3,4,5 wires available
- ◀ Cable length: 2 meters,4 meters or longer
- ◀ Switch or magnet available separately
- ◀ Color: White, Brown or Grey

BR-1023



Dimension

(Unit:mm)



Order Information

Part Number	Loop Type	Reed Form	Closed Gap [Inch(mm)]	Depature Gap [Inch(mm)]	Maximum Initial Contact Resistance (Ohm)	Maximum Contact Rating (W)	Maximum Switching Voltage (VDC /VAC)	Maximum Switching Current (A)	Certification
BR-1023-J-2M	Closed	N/O	1(25)	1.05(26)	0.65	10	100	0.5	
BR-1023-UJ-2M	Closed& Supervisory	N/C	1(25)	1.05(26)	0.65	10	100	0.5	
BR-1023A-J-2M	Open	N/C	1(25)		0.65	3	30	0.2	
BR-1023C-J-2M	Open/Closed	SPDT	1(25)		0.65	3	30	0.2	

Notes:

“J” mean 2 wires jacked cable

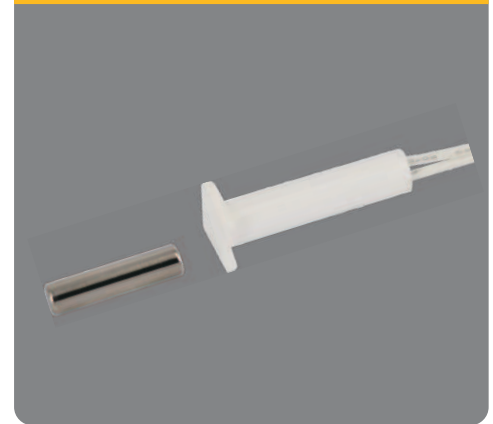
“UJ” mean 4wires jacked cable 2 wires for switch 2 wires for supevisory loop

RECESSED MOUNT

Specification

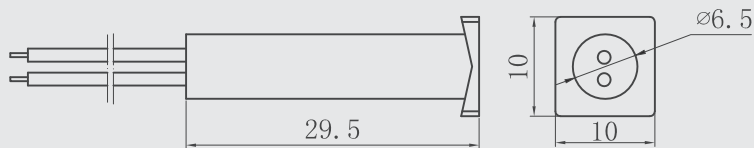
- ◀ 6.5 mm diameter switch with flange
- ◀ Wire: #22AWG 18" length
- ◀ Special wire available upon request
- ◀ Switch only available
- ◀ Different magnet available
- ◀ Color: White or Brown

BR-1025

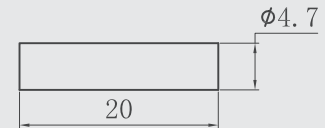


Dimension

(Unit:mm)



Switch



Magnet

Order Information

Part Number	Loop Type	Reed Form	Closed Gap [Inch(mm)]	Depature Gap [Inch(mm)]	Maximum Initial Contact Resistance (Ohm)	Maximum Contact Rating (W)	Maximum Switching Voltage (VDC/VAC)	Maximum Switching Current (A)	Certification
BR-1025	Closed	N/O	3/4(19)	0.8 (20)	0.20	10	100	0.5	
BR-1025A	Open	N/C	3/4(19)		0.20	3	30	0.2	
BR-1025C	Open/Closed	SPDT	3/4(19)		0.20	3	30	0.2	

RECESSED MOUNT

Specification

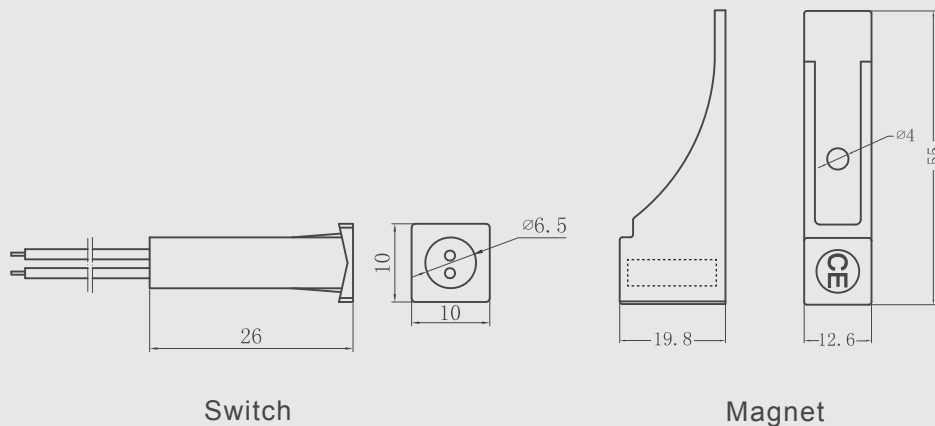
- ◀ 6.5 mm diameter switch with flange
- ◀ Suitable for big space between frames
- ◀ Wire: #22AWG 18" length
- ◀ Special wire available upon request
- ◀ Switch or magnet available separately
- ◀ Sticker included
- ◀ Color: White or Brown

BR-1026



Dimension

(Unit:mm)



Order Information

Part Number	Loop Type	Reed Form	Closed Gap [Inch(mm)]	Departure Gap [Inch(mm)]	Maximum Initial Contact Resistance (Ohm)	Maximum Contact Rating (W)	Maximum Switching Voltage (VDC /VAC)	Maximum Switching Current (A)	Certification
BR-1026	Closed	N/O	3/4(19)	0.8 (20)	0.20	10	100	0.5	
BR-1026A	Open	N/C	3/4(19)		0.20	3	30	0.2	
BR-1026C	Open/Closed	SPDT	3/4(19)		0.20	3	30	0.2	

Specification

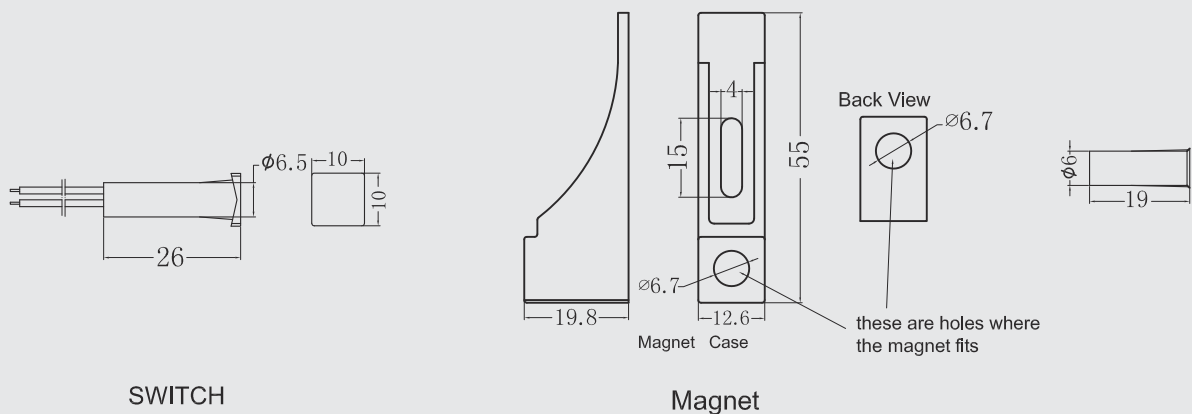
- ◀ 6.5 mm diameter switch with flange
- ◀ Suitable for big space between frames
- ◀ Wire: #22AWG 18" length
- ◀ Two directionalal installation available for magnet
- ◀ Switch or magnet available separately
- ◀ Color: White or Brown

BR-1027



Dimension

(Unit:mm)



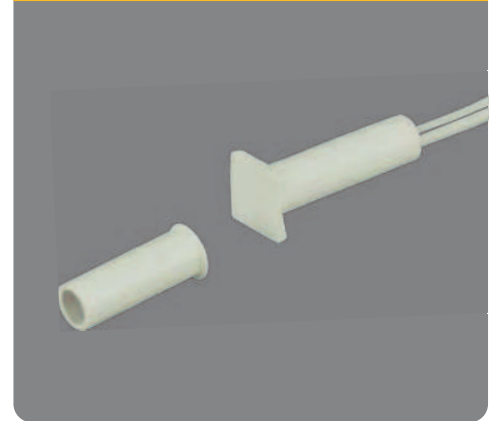
Order Information

Part Number	Loop Type	Reed Form	Closed Gap [Inch(mm)]	Departure Gap [Inch(mm)]	Maximum Initial Contact Resistance (Ohm)	Maximum Contact Rating (W)	Maximum Switching Voltage (VDC /VAC)	Maximum Switching Current (A)	Certification
BR-1027	Closed	N/O	3/4(19)	0.8 (20)	0.20	10	100	0.5	
BR-1027A	Open	N/C	3/4(19)		0.20	3	30	0.2	
BR-1027C	Open/Closed	SPDT	3/4(19)		0.20	3	30	0.2	

Specification

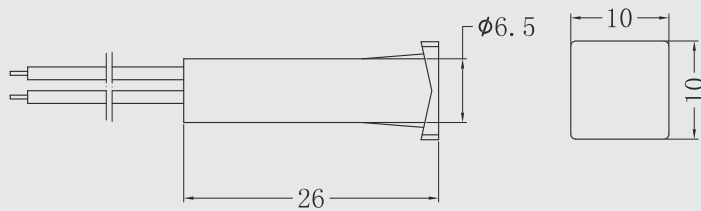
- ◀ 6.5 mm diameter switch with flange
- ◀ Suitable for big space between frames
- ◀ Wire: #22AWG 18" length
- ◀ Special wire available upon request
- ◀ Switch or magnet available separately
- ◀ Color: White or Brown

BR-1028

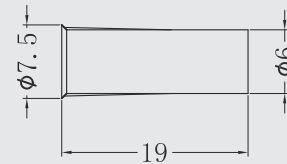


Dimension

(Unit:mm)



SWITCH



Magnet

Order Information

Part Number	Loop Type	Reed Form	Closed Gap [Inch(mm)]	Departure Gap [Inch(mm)]	Maximum Initial Contact Resistance (Ohm)	Maximum Contact Rating (W)	Maximum Switching Voltage (VDC /VAC)	Maximum Switching Current (A)	Certification
BR-1028	Closed	N/O	3/4(19)	0.8 (20)	0.20	10	100	0.5	
BR-1028A	Open	N/C	3/4(19)		0.20	3	30	0.2	
BR-1028C	Open / Closed	SPDT	3/4(19)		0.20	3	30	0.2	

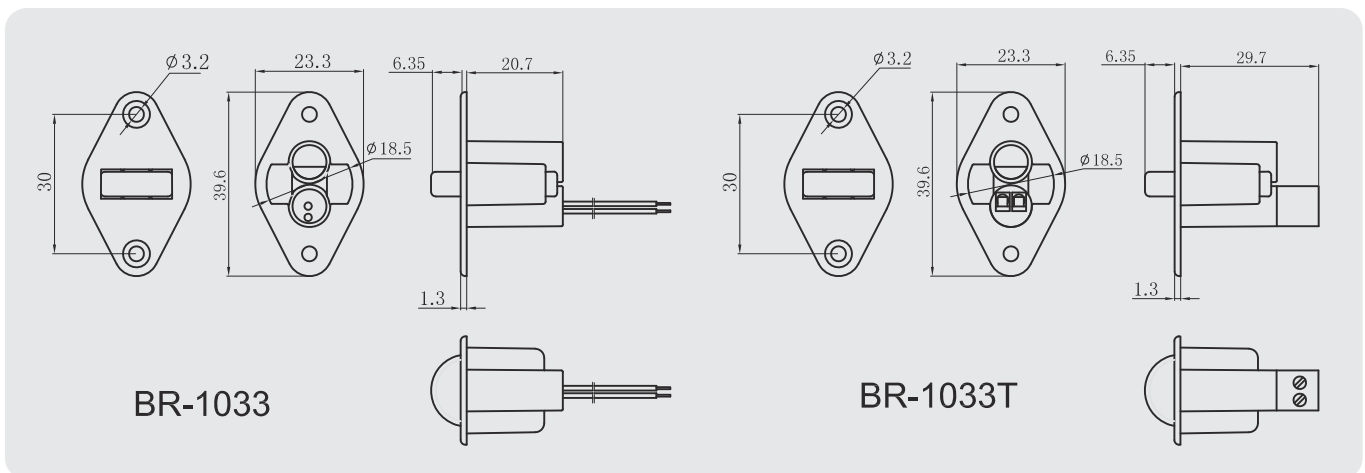
Specification:

- ◀ Plunger flush type
- ◀ 3/4" diameter
- ◀ Standard 18" #22AWG leads
- ◀ Special leads available
- ◀ Terminal block available (BR-1033T)
- ◀ Colors: White or Brown



Dimension

(Unit:mm)



Order Information

Part Number	Loop Type	Reed Form	Gap (total travel) [Inch (mm)]	Maximum Initial Contact Resistance (Ohm)	Maximum Contact Rating (W)	Maximum Switching Voltage (VDC)	Maximum Switching Current (A)	Certification
BR-1033	Closed	N/O	0.25 (6)	0.150	10	100	0.5	
BR-1033T	Closed	N/O	0.25 (6)	0.150	10	100	0.5	

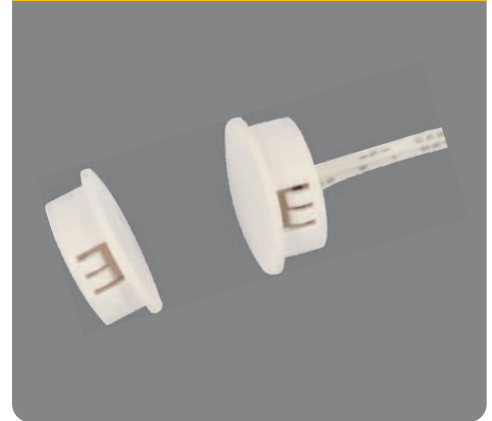
Note: 1. Total Travel: .236 inch (6mm) Pre Travel: .065+/-0.025 inch (1.65+/-0.60 mm)
 2. Wire range for terminal: #18~#22AWG

RECESSED MOUNT

Specification

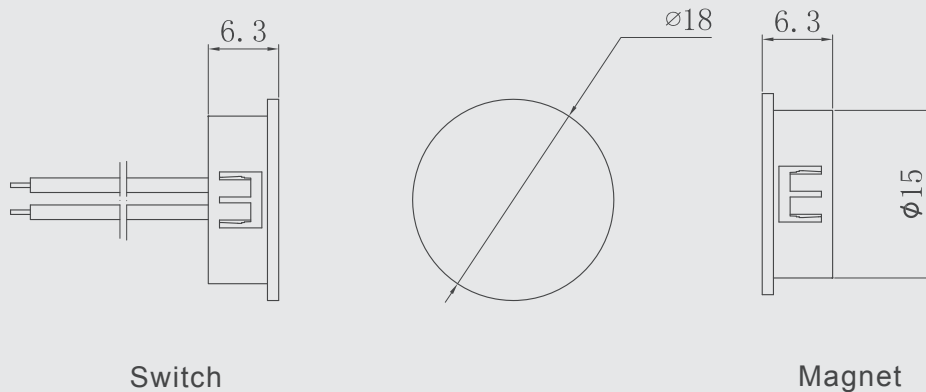
- ◀ 5/8" diameter miniature flush mounting
- ◀ Press fit
- ◀ Standard 18" #22AWG Leads
- ◀ Special leads upon request
- ◀ Switch or magnet are available separately
- ◀ Supervisory Loop available on request
- ◀ Correct orientation of magnet and contact is required for operation
- ◀ Colors: White, Brown or Grey

BR-1060



Dimension

(Unit:mm)



Order Information

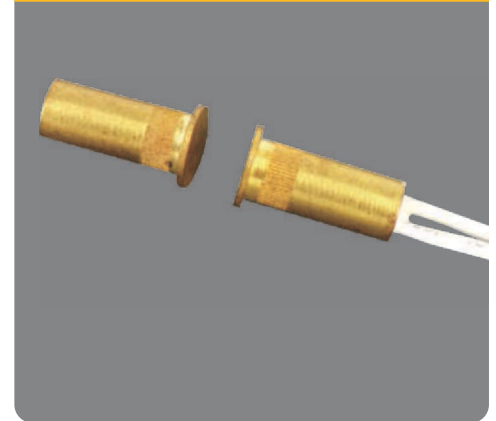
Part Number	Loop Type	Reed Form	Closed Gap [Inch(mm)]	Depature Gap [Inch(mm)]	Maximum Initial Contact Resistance (Ohm)	Maximum Contact Rating (W)	Maximum Switching Voltage (VDC /VAC)	Maximum Switching Current (A)	Certification
BR-1060	Closed	N/O	5/8(15)	0.8 (20)	0.20	10	100	0.5	

RECESSED MOUNT

Specification

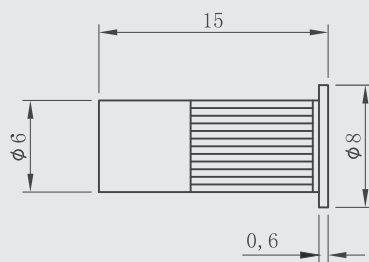
- ◀ 6 mm diameter switch with flange
- ◀ Flush mounting
- ◀ Compact dimensions for thin frames
- ◀ Copper body
- ◀ High mechanical resistance
- ◀ Wire: #22AWG 18" length
- ◀ Special wire or cable available upon request
- ◀ Suitable for aluminum, wood and PVC doors and windows

BR-1072

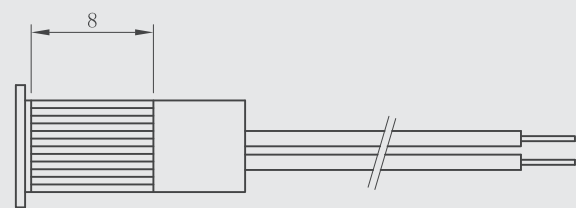
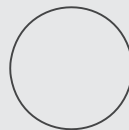


Dimension

(Unit:mm)



Magnet



Switch

Order Information

Part Number	Loop Type	Reed Form	Closed Gap [Inch(mm)]	Departure Gap [Inch(mm)]	Maximum Initial Contact Resistance (Ohm)	Maximum Contact Rating (W)	Maximum Switching Voltage (VDC / VAC)	Maximum Switching Current (A)	Certification
BR-1072	Closed	N/O	5/8(15)	0.7 (17)	0.20	10	100	0.5	
BR-1072A	Open	N/C	5/8(15)		0.20	3	30	0.2	
BR-1072C	Open/Closed	SPDT	5/8(15)		0.20	3	30	0.2	

RECESSED MOUNT

Specification

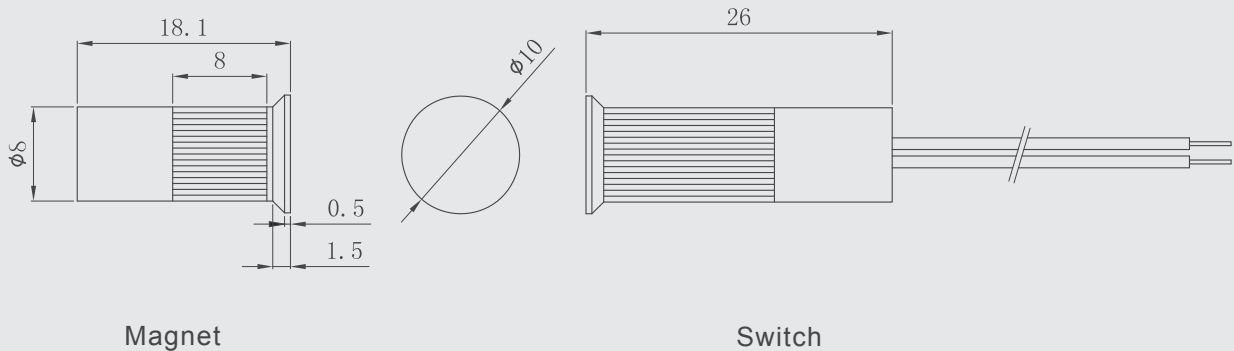
- ◀ 8 mm diameter switch with flange
- ◀ Flush mounting
- ◀ Compact dimensions for thin frames
- ◀ Copper body
- ◀ High mechanical resistance
- ◀ Wire: #22AWG 18" length
- ◀ Special wire or cable available upon request
- ◀ Suitable for aluminum, wood and PVC doors and windows

BR-1073



Dimension

(Unit:mm)



Magnet

Switch

Order Information

Part Number	Loop Type	Reed Form	Closed Gap [Inch(mm)]	Departure Gap [Inch(mm)]	Maximum Initial Contact Resistance (Ohm)	Maximum Contact Rating (W)	Maximum Switching Voltage (VDC /VAC)	Maximum Switching Current (A)	Certification
BR-1073	Closed	N/O	3/4(19)	0.8 (20)	0.20	10	100	0.5	
BR-1073A	Open	N/C	3/4(19)		0.20	3	30	0.2	
BR-1073C	Open/Closed	SPDT	3/4(19)		0.20	3	30	0.2	

Specification

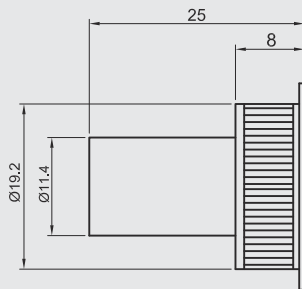
- ◀ 3/4" diameter Press to fit
- ◀ Flush mounting
- ◀ Compact dimensions for thin frames
- ◀ Copper body
- ◀ High mechanical resistance
- ◀ Wire: #22AWG 18" length
- ◀ Special wire or cable available upon request
- ◀ Suitable for steel ,aluminum, wood and PVC doorsand windows

BR-1074

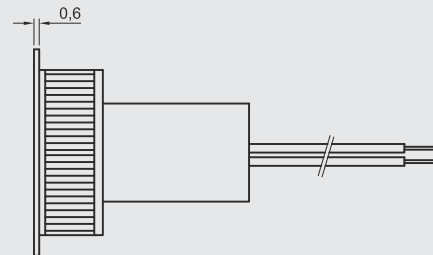
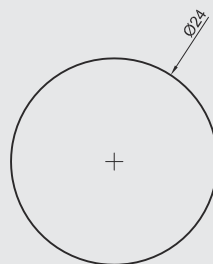


Dimension

(Unit:mm)



Magnet



Switch

Order Information

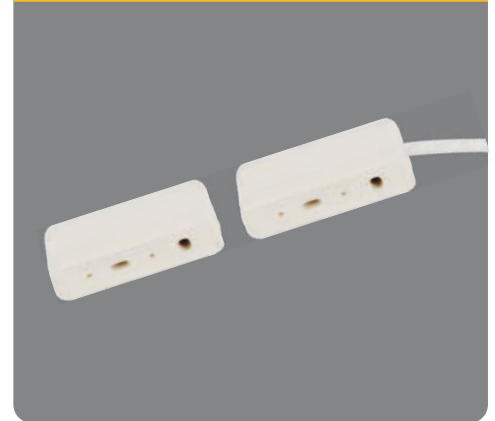
Part Number	Loop Type	Reed Form	Closed Gap In steel door [Inch(mm)]	Depature Gap [Inch(mm)]	Maximum Initial Contact Resistance (Ohm)	Maximum Contact Rating (W)	Maximum Switching Voltage (VDC/VAC)	Maximum Switching Current (A)	Certification
BR-1074	Closed	N/O	3/4(19) 1-1/2(35)in wood	0.8 (20)	0.20	10	100	0.5	
BR-1074A	Open	N/C	5/8(15)		0.20	3	30	0.2	
BR-1074C	Open/Closed	SPDT	5/8(15)		0.20	3	30	0.2	

SURFACE MOUNT

Specification

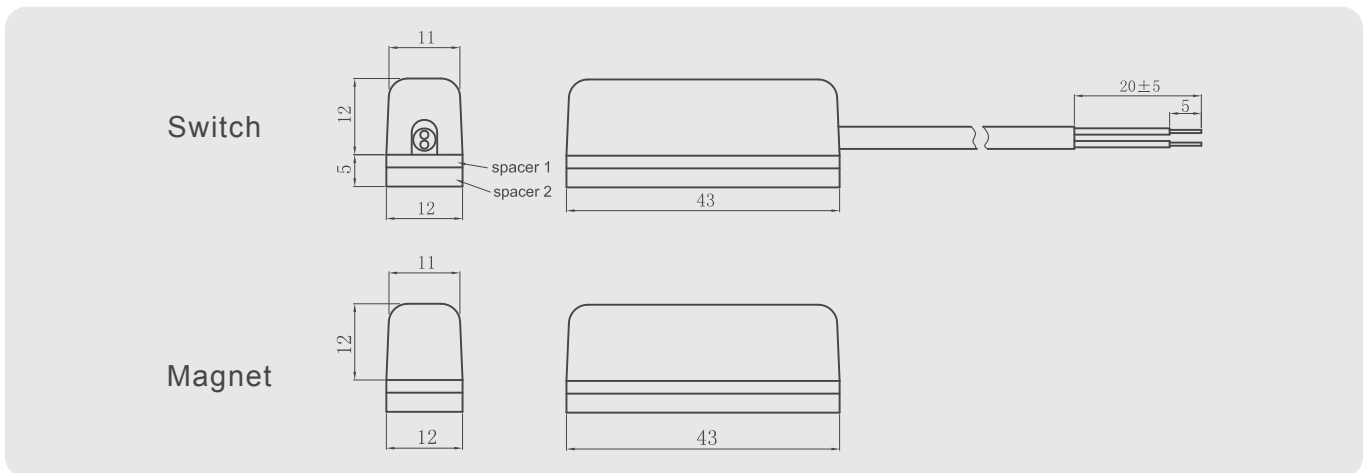
- ◀ Side or back cable orientation
- ◀ Jacked cable: 2,3,4,5 wires available
- ◀ Cable length: 2 meters,4 meters or longer
- ◀ Two kind of thickness spacer included
- ◀ Switch or magnet available separately
- ◀ Color: White, Brown or Grey

BS-2013



Dimension

(Unit:mm)



Order Information

Part Number	Loop Type	Reed Form	Closed Gap [Inch(mm)]	Departure Gap [Inch(mm)]	Maximum Initial Contact Resistance (Ohm)	Maximum Contact Rating (W)	Maximum Switching Voltage (VDC/VAC)	Maximum Switching Current (A)	Certification
BR-2013-J-2M	Closed	N/O	1(25)	1.05(26)	0.65	10	100	0.5	
BR-2013-UJ-2M	Closed& Supervisory	N/C	1(25)	1.05(26)	0.65	10	100	0.5	
BR-2013A-J-2M	Open	N/C	1(25)		0.65	3	30	0.2	
BR-2013C-J-2M	Open/Closed	SPDT	1(25)		0.65	3	30	0.2	

Notes:

“J” mean 2 wires jacked cable

“UJ” mean 4wires jacked cable 2 wires for switch 2 wires for supervisory loop

SURFACE MOUNT

Specification

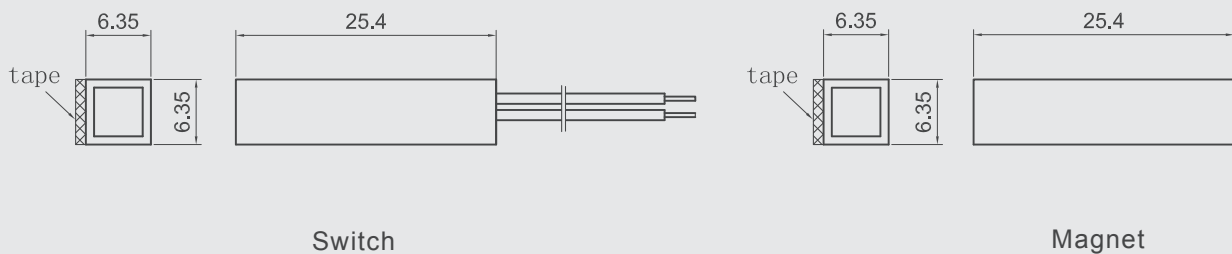
- ◀ Narrow contacts for where space has problem and big gap asked
- ◀ Side leads with #22AWG 18" length
- ◀ Adhesive tape included
- ◀ Resistor, Diode available
- ◀ Switch or magnet available separately
- ◀ Color: White, Brown or Grey

BS-2015



Dimension

(Unit:mm)



Order Information

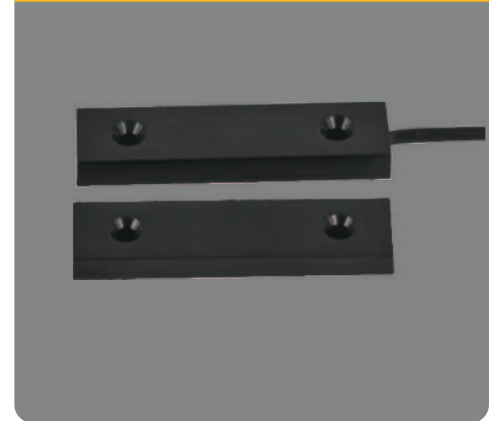
Part Number	Loop Type	Reed Form	Closed Gap [Inch(mm)]	Departure Gap [Inch(mm)]	Maximum Initial Contact Resistance (Ohm)	Maximum Contact Rating (W)	Maximum Switching Voltage (VDC /VAC)	Maximum Switching Current (A)	Certification
BS-2015	Closed	N/O	1(25)	1.05(27)	0.20	10	100	0.5	
BS-2015A	Open	N/C	1(25)		0.20	3	30	0.2	
BS-2015C	Open/Closed	SPDT	1(25)		0.20	3	30	0.2	

SURFACE MOUNT

Specification

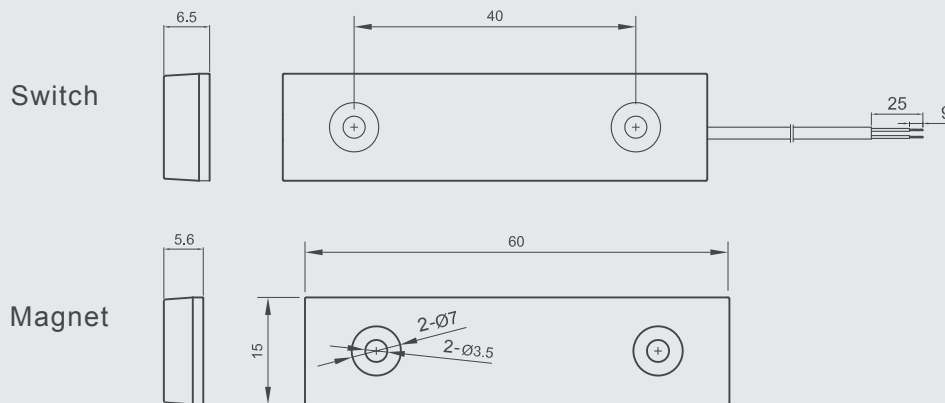
- ◀ Flat slim contacts for where minimum thickness required
- ◀ Concealed mounting, suitable for vending machine
- ◀ Side leads with #22AWG 18" length
- ◀ Screw mounting
- ◀ Resistor, Diode and Supervisory loop available
- ◀ Switch or magnet available separately
- ◀ Color: White, Brown or Black

BS-2017



Dimension

(Unit:mm)



Order Information

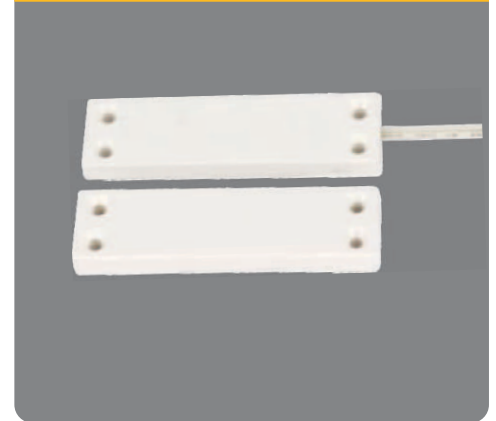
Part Number	Loop Type	Reed Form	Closed Gap [Inch(mm)]	Depature Gap [Inch(mm)]	Maximum Initial Contact Resistance (Ohm)	Maximum Contact Rating (W)	Maximum Switching Voltage (VDC /VAC)	Maximum Switching Current (A)	Certification
BS-2017	Closed	N/O	3/4(19)	0.78(20)	0.20	10	100	0.5	
BS-2017A	Open	N/C	3/4(19)		0.20	3	30	0.2	
BS-2017C	Open/Closed	SPDT	3/4(19)		0.20	3	30	0.2	

SURFACE MOUNT

Specification

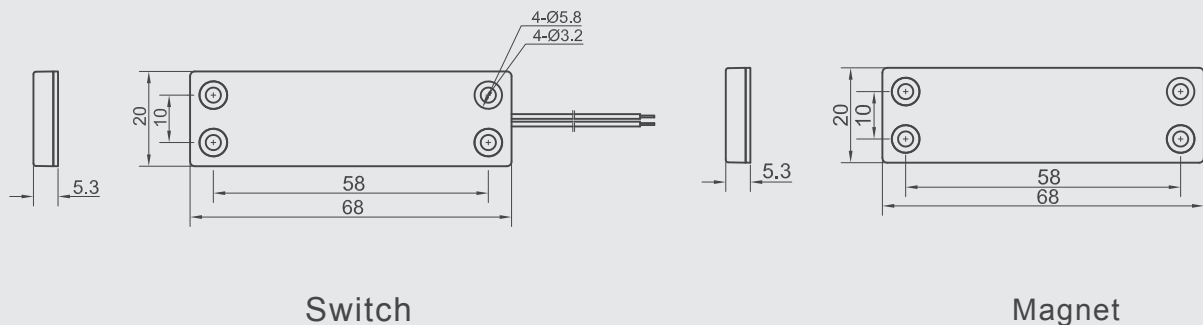
- ◀ Flat slim contacts for where minimum thickness required
- ◀ Concealed mounting, suitable for Vasistas fixtures
- ◀ Side leads with #22AWG 18" length
- ◀ 4-core cable available upon request
- ◀ Screws mounting
- ◀ Resistor, Diode available
- ◀ Switch or magnet available separately
- ◀ Color: White or Brown

BS-2018



Dimension

(Unit:mm)



Switch

Magnet

Order Information

Part Number	Loop Type	Reed Form	Closed Gap [Inch(mm)]	Departure Gap [Inch(mm)]	Maximum Initial Contact Resistance (Ohm)	Maximum Contact Rating (W)	Maximum Switching Voltage (VDC /VAC)	Maximum Switching Current (A)	Certification
BS-2018	Closed	N/O	1(25)	1.05 (26)	0.20	10	100	0.5	
BS-2018A	Open	N/C	1(25)		0.20	3	30	0.2	
BS-2018C	Open/Closed	SPDT	1(25)		0.20	3	30	0.2	

SURFACE MOUNT

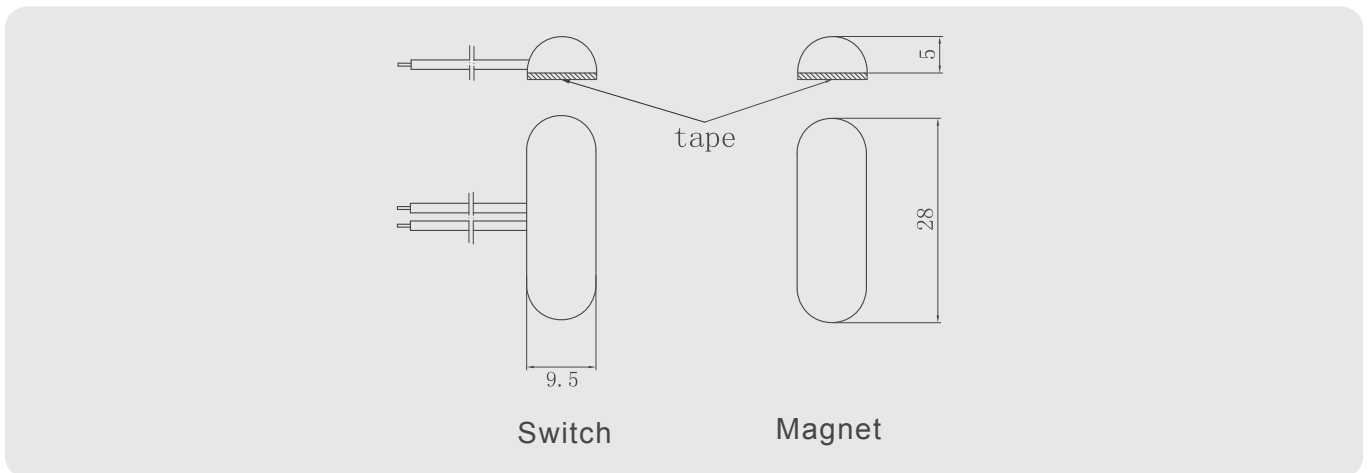
Specification

- ◀ Pill profile
- ◀ Narrow width allow for window track installs without drilling into the frames
- ◀ Centre leads with 22AWG 18" length
- ◀ Adhesive included
- ◀ Switch or magnet available separately
- ◀ Extra length wires available on request
- ◀ Colors: White, Brown, Grey or Tan



Dimension

(Unit:mm)



Order Information

Part Number	Loop Type	Reed Form	Closed Gap [Inch(mm)]	Depature Gap [Inch(mm)]	Maximum Initial Contact Resistance (Ohm)	Maximum Contact Rating (W)	Maximum Switching Voltage (VDC /VAC)	Maximum Switching Current (A)	Certification
BS-2026	Closed	N/O	3/4(19)	0.8(20)	0.20	10	100	0.5	
BS-2026A	Open	N/C	3/4(19)		0.20	3	30	0.2	

SURFACE MOUNT

Specification

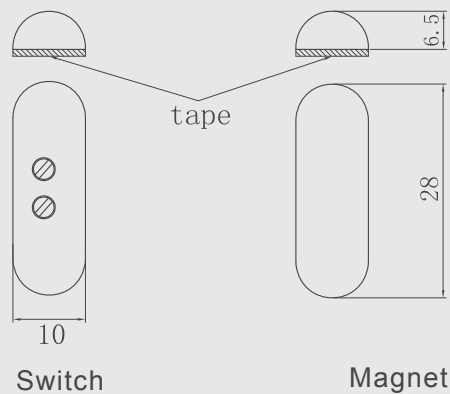
- ◀ Pill profile
- ◀ Narrow width allow for window track installs without drilling into the frames
- ◀ Quick connect terminal block
- ◀ Adhesive included
- ◀ Switch or magnet available separately
- ◀ Colors: White, Brown, Grey or Tan

BS-2026T



Dimension

(Unit:mm)



Order Information

Part Number	Loop Type	Reed Form	Closed Gap [Inch(mm)]	Departure Gap [Inch(mm)]	Maximum Initial Contact Resistance (Ohm)	Maximum Contact Rating (W)	Maximum Switching Voltage (VDC /VAC)	Maximum Switching Current (A)	Certification
BS-2026T	Closed	N/O	1(25)	1.05(27)	0.20	10	100	0.5	
BS-2026TA	Open	N/C	1(25)		0.20	3	30	0.2	

SURFACE MOUNT

Specification

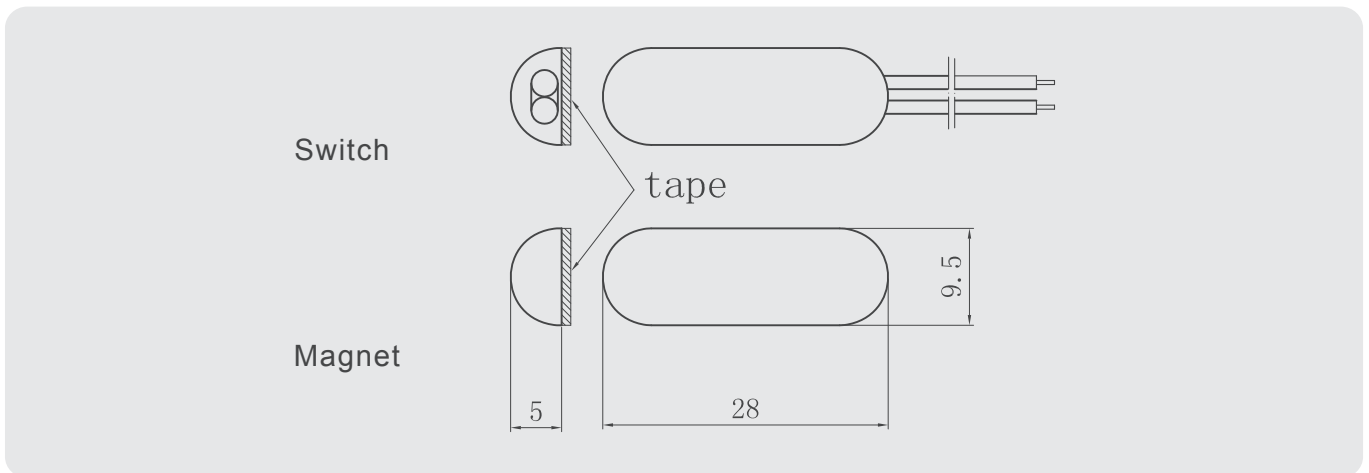
- ◀ Pill profile
- ◀ Narrow width allow for window track installs without drilling into the frames
- ◀ Side leads with 22AWG 18" length
- ◀ Adhesive included
- ◀ Switch or magnet available separately
- ◀ Extra length wires available on request
- ◀ Colors: White, Brown, Grey or Tan

BS-2027



Dimension

(Unit:mm)



Order Information

Part Number	Loop Type	Reed Form	Closed Gap [Inch(mm)]	Depature Gap [Inch(mm)]	Maximum Initial Contact Resistance (Ohm)	Maximum Contact Rating (W)	Maximum Switching Voltage (VDC /VAC)	Maximum Switching Current (A)	Certification
BS-2027	Closed	N/O	3/4(19)	0.85(21)	0.20	10	100	0.5	
BS-2027A	Open	N/C	3/4(19)		0.20	3	30	0.2	

SURFACE MOUNT

Specification

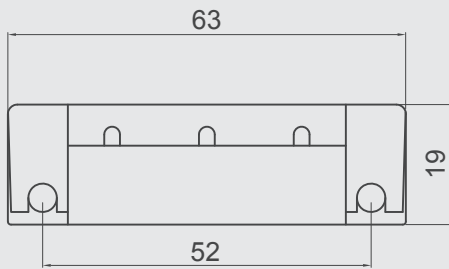
- ◀ 8 mm diameter switch with flange
- ◀ Flush mounting
- ◀ Compact dimensions for thin frames
- ◀ Copper body
- ◀ High mechanical resistance
- ◀ Wire: #22AWG 18" length
- ◀ Special wire or cable available upon request
- ◀ Suitable for aluminum, wood and PVC doors and windows

BS-2036

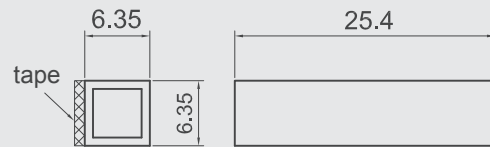


Dimension

(Unit:mm)



Switch



Magnet

Order Information

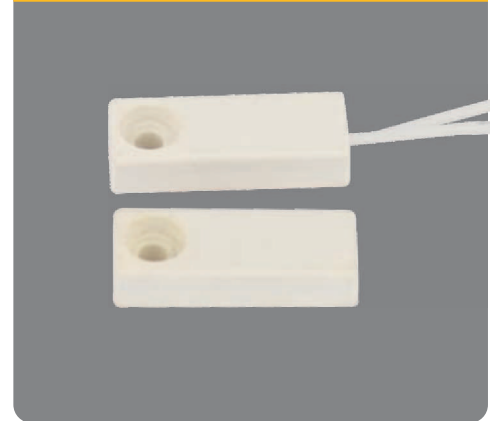
Part Number	Loop Type	Reed Form	Closed Gap [Inch(mm)]	Departure Gap [Inch(mm)]	Maximum Initial Contact Resistance (Ohm)	Maximum Contact Rating (W)	Maximum Switching Voltage (VDC/VAC)	Maximum Switching Current (A)	Certification
BS-2036	Closed	N/O	1(25)	1.05(27)	0.20	10	100	0.5	
BS-2036A	Open	N/C	7/8(22)		0.20	3	30	0.2	
BS-2036C	Open/Closed	SPDT	7/8(22)		0.20	3	30	0.2	

SURFACE MOUNT

Specification

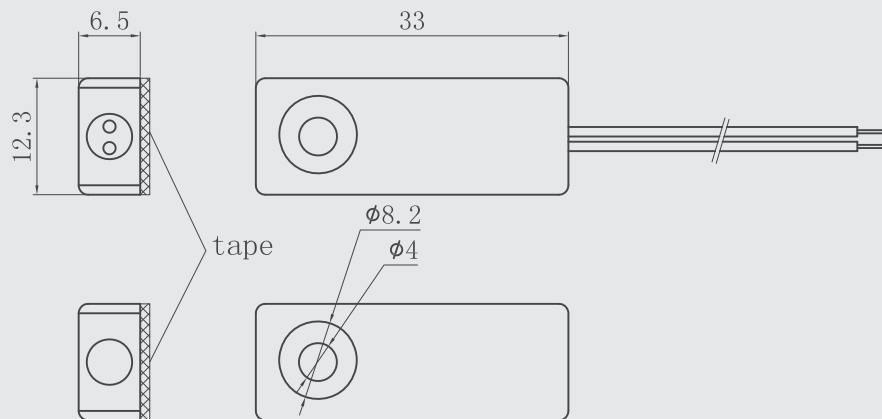
- ◀ Small sealed contact switch without flange
- ◀ Side leads with #22AWG 18" length
- ◀ For heavy mount on aluminum frame
- ◀ Adhesive tape available upon request
- ◀ Switch or magnet available separately
- ◀ Resistor, Diode and Supervisory loop available
- ◀ Color: White, Brown or Grey

BS-2062



Dimension

(Unit:mm)



Order Information

Part Number	Loop Type	Reed Form	Closed Gap [Inch(mm)]	Departure Gap [Inch(mm)]	Maximum Initial Contact Resistance (Ohm)	Maximum Contact Rating (W)	Maximum Switching Voltage (VDC /VAC)	Maximum Switching Current (A)	Certification
BS-2062	Closed	N/O	1(25)	1.05 (26)	0.20	10	100	0.5	
BS-2062A	Open	N/C	1(25)		0.20	3	30	0.2	
BS-2062C	Open/Closed	SPDT	1(25)		0.20	3	30	0.2	

SURFACE MOUNT

Specification

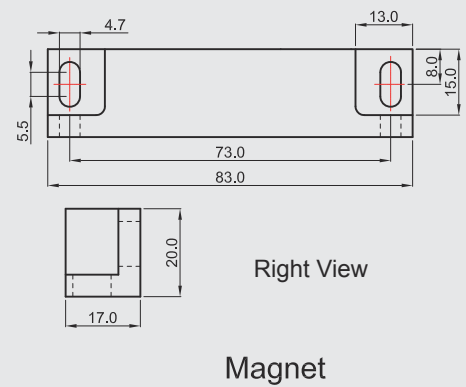
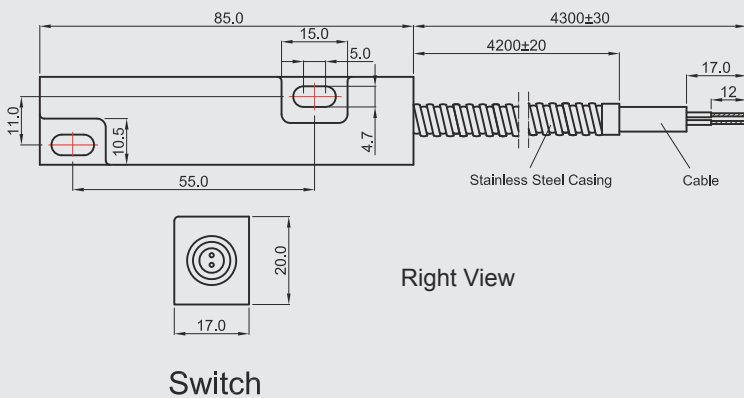
- ◀ Extrude aluminum casings for harsh environments
- ◀ Suitable for switching voltage below 230VAC
- ◀ Wire: #18AWG with 22" armored cable
- ◀ Longer cable available on request
- ◀ Switches or magnets are available separately
- ◀ Jacket cable available:BS-2073AC-J

BS-2073AC



Dimension

(Unit:mm)



Order Information

Part Number	Loop Type	Reed Form	Closed Gap [Inch(mm)]	Departure Gap [Inch(mm)]	Maximum Initial Contact Resistance (Ohm)	Maximum Contact Rating (VA)	Maximum Switching Voltage (VAC)	Maximum Switching Current (A)	Certification
BS-2073AC	Closed	N/O	0.75(19)	0.8(21)	500	500	230	4	

Specification

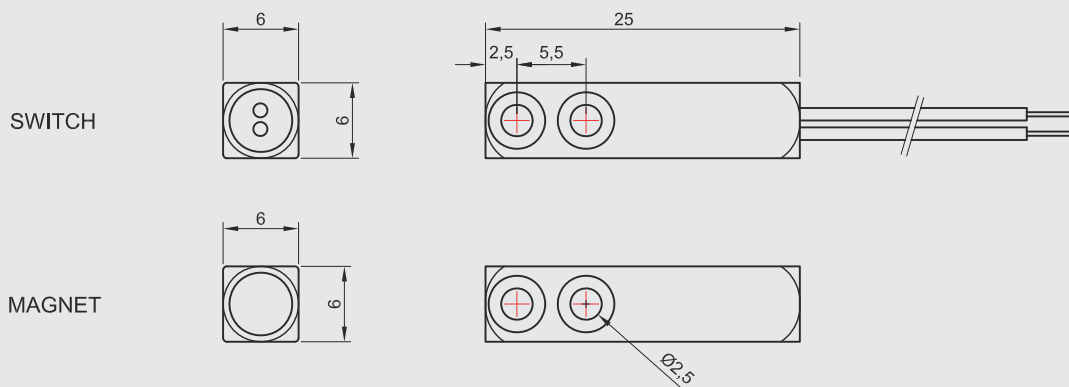
- ◀ Magnetic contacts
- ◀ Hermetically sealed with extruded aluminum housing for harsh environments
- ◀ Ideal for commercial application or industrial use
- ◀ Standard 18" #22AWG leads
- ◀ Longer leads available
- ◀ Supervisory Loop available on request

BS-2074



Dimension

(Unit:mm)



Order Information

Part Number	Loop Type	Reed Form	Closed Gap [Inch(mm)]	Departure Gap [Inch(mm)]	Maximum Initial Contact Resistance (Ohm)	Maximum Contact Rating (W)	Maximum Switching Voltage (VDC)	Maximum Switching Current (A)	Certification
BS-2074	Closed	N/O	1/2 (13)	5/8 (15)	0.150	10	100	0.5	

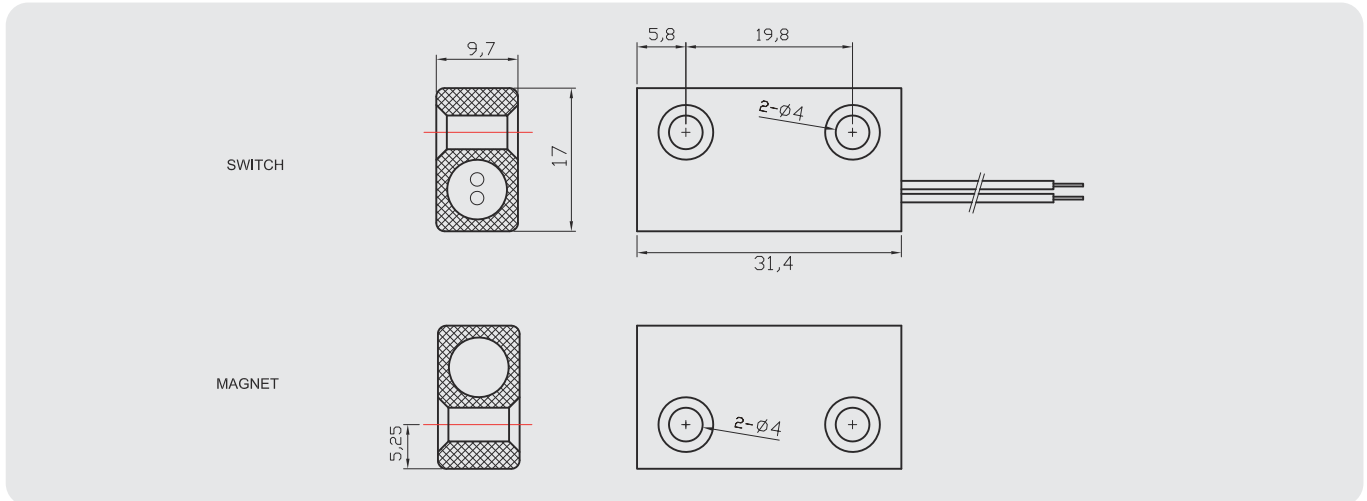
Specification:

- ◀ Metal magnetic contacts with extuder aluminum housing
- ◀ Ideal for commercial application or industrial use
- ◀ Screws included
- ◀ Standard 18" #22AWG leads
- ◀ Armored cable on request (BS-2075AR)
- ◀ Longer leads available
- ◀ Resistor, Diode and Supervisory Loop available on request
- ◀ Colors: Silver or Brown



Dimension

(Unit:mm)



Order Information

Part Number	Loop Type	Reed Form	Closed Gap [Inch(mm)]	Depature Gap [Inch(mm)]	Maximum Initial Contact Resistance (Ohm)	Maximum Contact Rating (W)	Maximum Switching Voltage (VDC)	Maximum Switching Current (A)	Certification
BS-2075	Closed	N/O	1 (25)	1.1 (27)	0.150	10	100	0.5	
BS-2075A	Open	N/C	0.8 (20)		0.150	3	30	0.2	
BS-2075C	Closed&Open	SPDT	0.8 (20)		0.150	3	30	0.2	

OVERHEAD/TRACK MOUNT

Specification

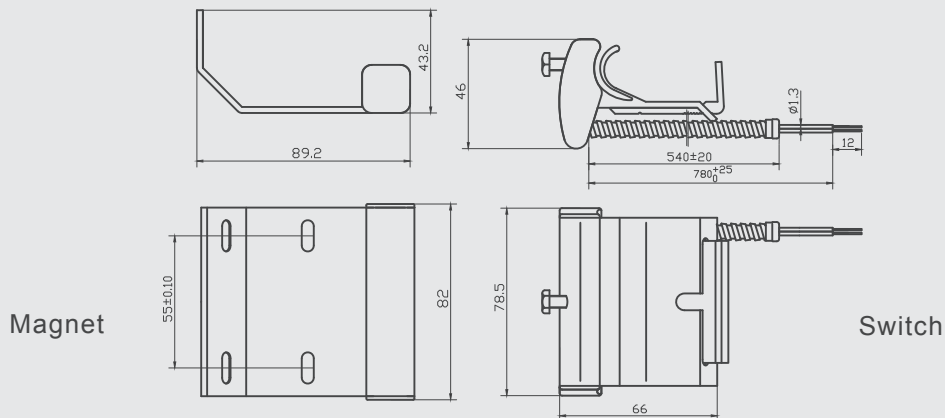
- ◀ Designed for panel or sectional style overhead doors
- ◀ Integrated multi position adjustable magnet bracket
- ◀ Reversible probe assembly
- ◀ Left or right installation
- ◀ 22" armored cable, longer available
- ◀ Hinge design for tighter clamping to track
- ◀ Self-drilling screws included for easy installation
- ◀ No special tools required for installation

BSD-3016



Dimension

(Unit:mm)



Order Information

Part Number	Loop Type	Reed Form	Closed Gap [Inch(mm)]	Departure Gap [Inch(mm)]	Maximum Initial Contact Resistance (Ohm)	Maximum Contact Rating (W)	Maximum Switching Voltage (VDC /VAC)	Maximum Switching Current (A)	Certification
BSD-3016	Closed	N/O	2.5(65)	2.65(67)	0.20	10	100	0.5	
BSD-3016A	Open	N/C	2.5(63)		0.20	3	30	0.2	
BSD-3016C	Open&Closed	SPDT	2.5(63)		0.20	3	30	0.2	
BSD-3016D	DPDT	2-SPDT	2.5(63)		0.20	3	30	0.2	

* These magnetic contact switches shall be installed so that a door or other movable opening cannot be opened more than 2

OVERHEAD DOOR CONTACT

Specification

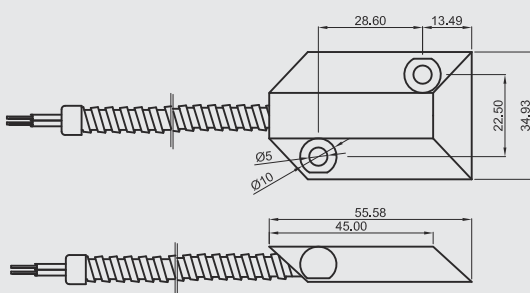
- ◀ Extude aluminum casings for harsh envrionments
- ◀ Small size
- ◀ Wire: #22AWG with 22" armored cable
- ◀ Longer cable available on request
- ◀ Switches or magnets are available separately
- ◀ Jacket cable available:BSD-3017-J
- ◀ Resistor, Diode and Supervisory Loop available on request

BSD-3017

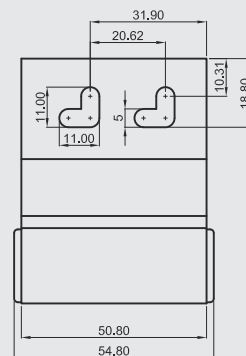
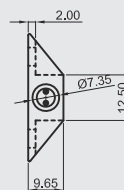


Dimension

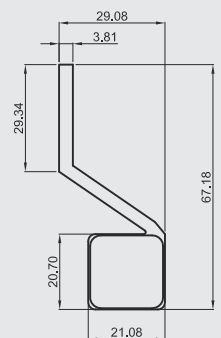
(Unit:mm)



Switch



Magnet



Order Information

Part Number	Loop Type	Reed Form	Closed Gap [Inch(mm)]	Depature Gap [Inch(mm)]	Maximum Initial Contact Resistance (Ohm)	Maximum Contact Rating (W)	Maximum Switching Voltage (VDC /VAC)	Maximum Switching Current (A)	Certification
BSD-3017	Closed	N/O	2.5(65)	2.65(67)	0.20	10	100	0.5	
BSD-3017A	Open	N/C	2.5(63)		0.20	3	30	0.2	
BSD-3017C	Open&Closed	SPDT	2.5(63)		0.20	3	30	0.2	

OVERHEAD DOOR CONTACT

Specification

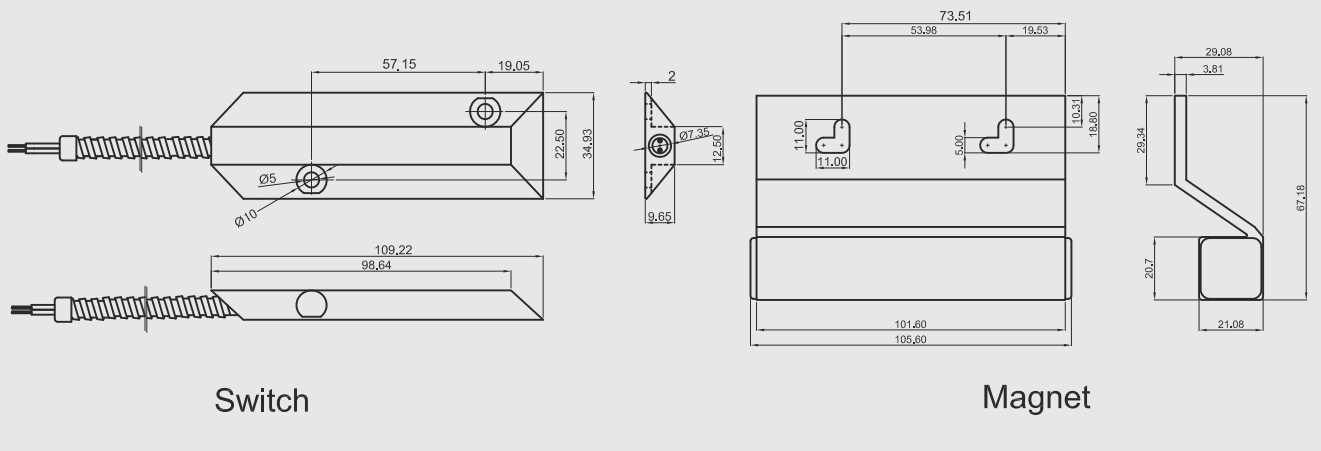
- ◀ Extude aluminum casings for harsh environments
- ◀ Wire: #22AWG with 22" armored cable
- ◀ Longer cable available on request
- ◀ Switches or magnets are available separately
- ◀ Jacket cable available:BSD-3018-J
- ◀ Resistor, Diode and Supervisory Loop available on request

BSD-3018



Dimension

(Unit:mm)



Order Information

Part Number	Loop Type	Reed Form	Closed Gap [Inch(mm)]	Depature Gap [Inch(mm)]	Maximum Initial Contact Resistance (Ohm)	Maximum Contact Rating (W)	Maximum Switching Voltage (VDC /VAC)	Maximum Switching Current (A)	Certification
BSD-3018	Closed	N/O	2.5(65)	2.65(67)	0.20	10	100	0.5	
BSD-3018A	Open	N/C	2.5(63)		0.20	3	30	0.2	
BSD-3018C	Open&Closed	SPDT	2.5(63)		0.20	3	30	0.2	

OVERHEAD DOOR CONTACT

Specification

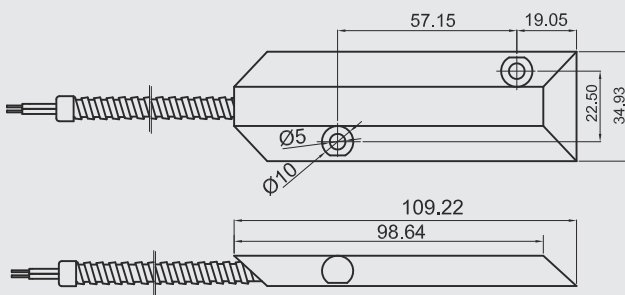
- ◀ Extude aluminum casings for harsh environments
- ◀ Wire: #22AWG with 22" armored cable
- ◀ Longer cable available on request
- ◀ Switches or magnets are available separately
- ◀ Jacket cable available: BSD-3019-J
- ◀ Resistor, Diode and Supervisory Loop available on request

BSD-3019

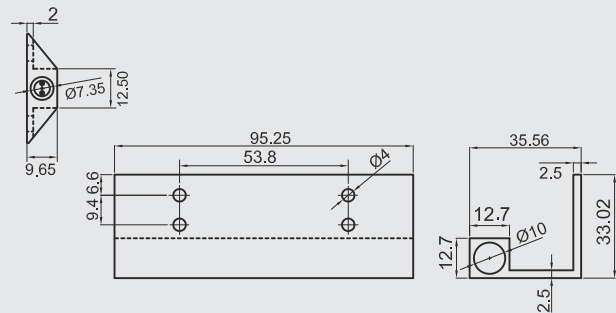


Dimension

(Unit:mm)



Switch



Magnet

Order Information

Part Number	Loop Type	Reed Form	Closed Gap [Inch(mm)]	Depature Gap [Inch(mm)]	Maximum Initial Contact Resistance (Ohm)	Maximum Contact Rating (W)	Maximum Switching Voltage (VDC /VAC)	Maximum Switching Current (A)	Certification
BSD-3019	Closed	N/O	2.5(65)	2.65(67)	0.20	10	100	0.5	
BSD-3019A	Open	N/C	2.5(63)		0.20	3	30	0.2	
BSD-3019C	Open&Closed	SPDT	2.5(63)		0.20	3	30	0.2	

Specification

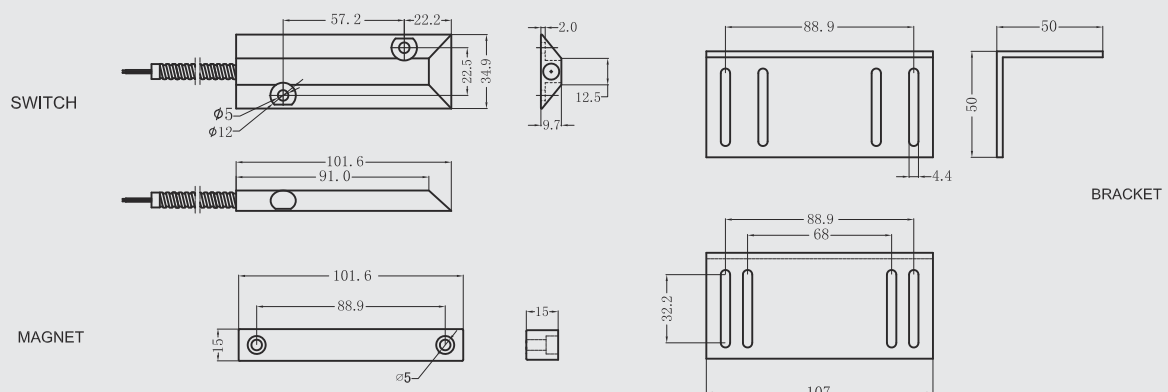
- ◀ Extrude aluminum casting for harsh environment
- ◀ Wire: #22AWG with 22" armored cable
- ◀ Longer cable available on request
- ◀ Optional " L " bracket
- ◀ Resistor, Diode and Supervisory Loop available on request

BSD-3020



Dimension

(Unit:mm)



Order Information

Part Number	Loop Type	Reed Form	Closed Gap [Inch(mm)]	Departure Gap [Inch(mm)]	Maximum Initial Contact Resistance (Ohm)	Maximum Contact Rating (W)	Maximum Switching Voltage (VDC)	Maximum Switching Current (A)	Certification
BSD-3020	Closed	N/O	2.6 (65)	2.66 (66)	0.150	7.5	100	0.4	
BSD-3020WG	Closed	N/O	3 1/4 (80)	3.5 (88)	0.150	7.5	100	0.4	
BSD-3020A	Open	N/C	2 1/2 (65)		0.150	3	30	0.2	
BSD-3020C	Closed & Open	N/C	2 1/2 (65)		0.150	3	30	0.2	

* These magnetic contact switches shall be installed so that a door or other movable opening cannot be opened more than 2 inches (51mm) without initiating an alarm. Switches exceeding 2 inches can not be installed per UL681-the Standard for installation and Classification of Burglar and Holdup Alarm

OVERHEAD DOOR CONTACT

Specification

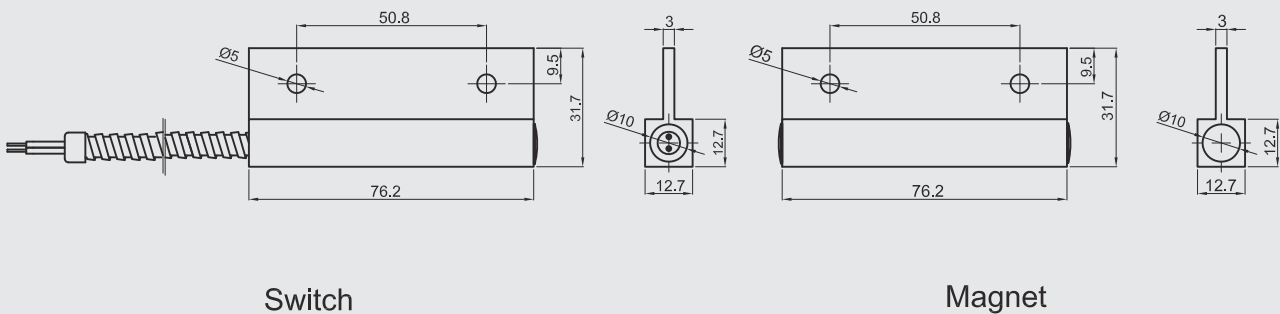
- ◀ Extude aluminum casings for harsh envrionments
- ◀ Wire: #22AWG with 22" armored cable
- ◀ Longer cable available on request
- ◀ Switches or magnets are available separately
- ◀ Jacket cable available:BSD-3021-J
- ◀ Resistor, Diode and Supervisory Loop available on request

BSD-3021



Dimension

(Unit:mm)



Switch

Magnet

Order Information

Part Number	Loop Type	Reed Form	Closed Gap [Inch(mm)]	Depature Gap [Inch(mm)]	Maximum Initial Contact Resistance (Ohm)	Maximum Contact Rating (W)	Maximum Switching Voltage (VDC /VAC)	Maximum Switching Current (A)	Certification
BSD-3021	Closed	N/O	2.75(70)	2.85(72)	0.20	10	100	0.5	
BSD-3021A	Open	N/C	2.5(63)		0.20	3	30	0.2	
BSD-3021C	Open&Closed	SPDT	2.5(63)		0.20	3	30	0.2	

OVERHEAD DOOR CONTACT

Specification

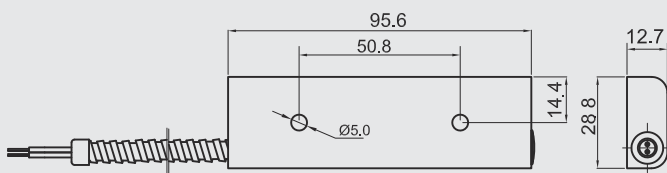
- ◀ Extude aluminum casings for harsh environments
- ◀ Wire: #22AWG with 22" armored cable
- ◀ Longer cable available on request
- ◀ Switches or magnets are available separately
- ◀ Jacket cable available:BSD-3022-J
- ◀ Resistor, Diode and Supervisory Loop available on request

BSD-3022

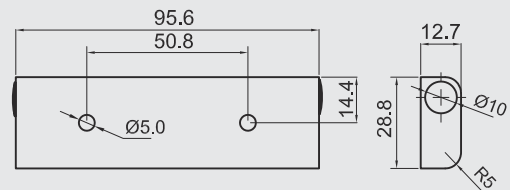


Dimension

(Unit:mm)



Switch



Magnet

Order Information

Part Number	Loop Type	Reed Form	Closed Gap [Inch(mm)]	Depature Gap [Inch(mm)]	Maximum Initial Contact Resistance (Ohm)	Maximum Contact Rating (W)	Maximum Switching Voltage (VDC /VAC)	Maximum Switching Current (A)	Certification
BSD-3022	Closed	N/O	3(75)	3.05(77)	0.20	10	100	0.5	
BSD-3022A	Open	N/C	2.5(63)		0.20	3	30	0.2	
BSD-3022C	Open&Closed	SPDT	2.5(63)		0.20	3	30	0.2	

SURFACE MOUNT

Specification

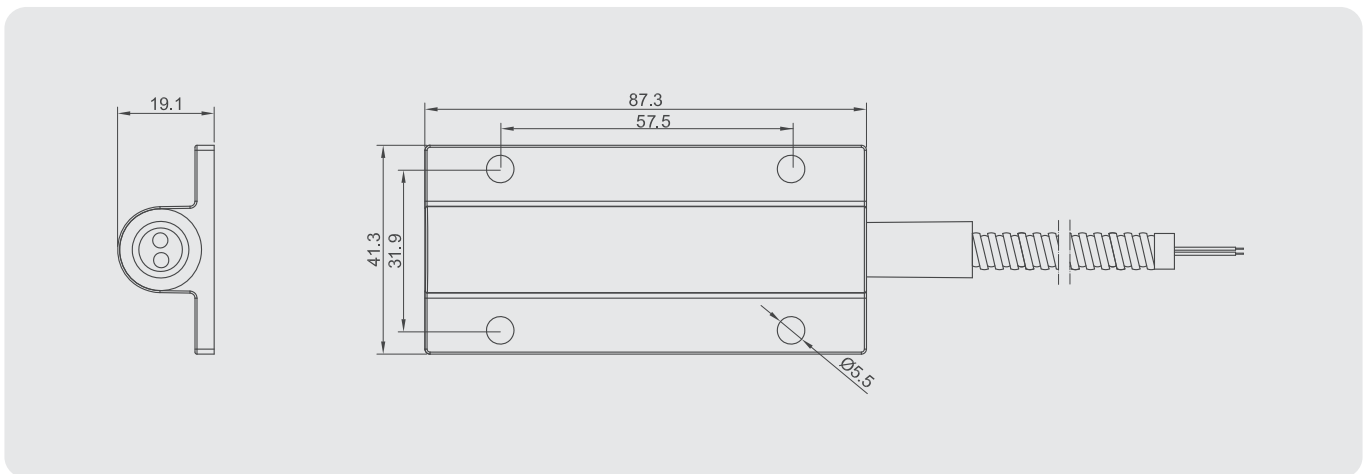
- ◀ Surface mount Pull Apart Switch set
- ◀ Heavy Duty design for outdoor usage
- ◀ Great for Marina, Truck docks, Portable Goods
- ◀ Installs easily and quickly
- ◀ 36" Armored Cable
- ◀ Resistor, Diode and Supervisory Loop available on request
- ◀ Brown, Grey available

BP-4100



Dimension

(Unit:mm)



Order Information

Part Number	Loop Type	Reed Form	Closed Gap [Inch(mm)]	Departure Gap [Inch(mm)]	Maximum Initial Contact Resistance (Ohm)	Maximum Contact Rating (W)	Maximum Switching Voltage (VDC/VAC)	Maximum Switching Current (A)	Certification
BP-4100	Closed	N/O			0.20	10	100	0.5	
BP-4100A	Open	N/C			0.20	3	30	0.2	
BP-4100C	Open&Closed	SPDT			0.20	3	30	0.2	

RECESSED MOUNT

Specification

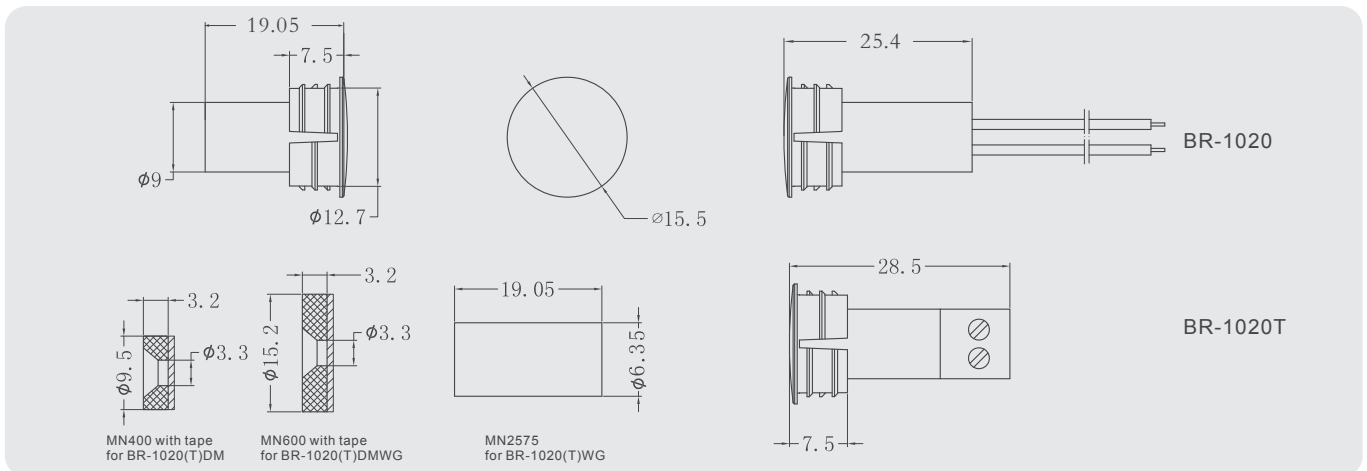
- ◀ 1/2" diameter miniature flush mounting
- ◀ Press or Snap fit
- ◀ Standard 18" #22AWG Leads
- ◀ Terminal block for quick connecting(BR-1020T)
- ◀ Special leads upon request
- ◀ Switch or magnet are available separately
- ◀ Resistor, Diode and Supervisory Loop available on request
- ◀ Colors: White, Brown, Grey

BR-1020



Dimension

(Unit:mm)



Order Information

Part Number	Loop Type	Reed Form	Closed Gap [Inch(mm)]	Departure Gap [Inch(mm)]	Maximum Initial Contact Resistance (Ohm)	Maximum Contact Rating (W)	Maximum Switching Voltage (VDC /VAC)	Maximum Switching Current (A)	Certification
BR-1020(T)	Closed	N/O	3/4(19)	0.8 (20)	0.20	10	100	0.5	
BR-1020(T)DM	Closed	N/O	5/8(15)	0.7 (17)	0.20	10	100	0.5	
BR-1020(T)DMWG	Closed	N/O	0.85(22)	0.9 (23)	0.20	10	100	0.5	
BR-1020(T)WG	Closed	N/O	1(25)	1.1 (27)	0.20	10	100	0.5	
BR-1020(T)A	Open	N/C		0.8 (20)	0.20	3	30	0.2	
BR-1020C	Open/ Closed	SPDT		0.8 (20)	0.20	3	30	0.2	

RECESSED MOUNT

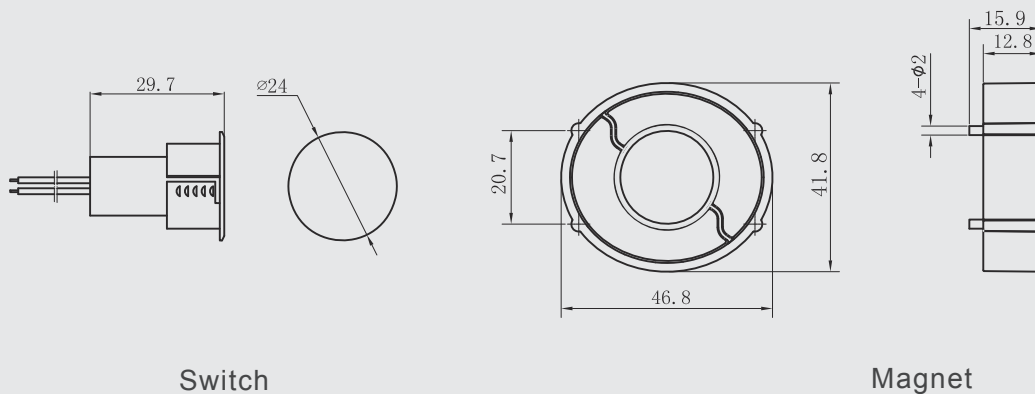
Specification

- ◀ 3/4" diameter Press to fit
- ◀ Flexible Magnet for metal entry/Exit door with a channel
- ◀ Standard 18" #22AWG Leads
- ◀ Special leads upon request
- ◀ Switch or magnet are available separately
- ◀ Resistor, Diode and Supervisory Loop available on request
- ◀ Colors: White, Brown, Grey



Dimension

(Unit:mm)



Order Information

Part Number	Loop Type	Reed Form	Closed Gap [Inch(mm)]	Departure Gap [Inch(mm)]	Maximum Initial Contact Resistance (Ohm)	Maximum Contact Rating (W)	Maximum Switching Voltage (VDC /VAC)	Maximum Switching Current (A)	Certification
BR-1021DCM	Closed	N/O	1(25)	1.05(27)	0.20	10	100	0.5	
BR-1021DCMA	Open	N/C	3/4(19)		0.20	3	30	0.2	
BR-1021DCMC	Open/Closed	SPDT	3/4(19)		0.20	3	30	0.2	

RECESSED MOUNT

Specification

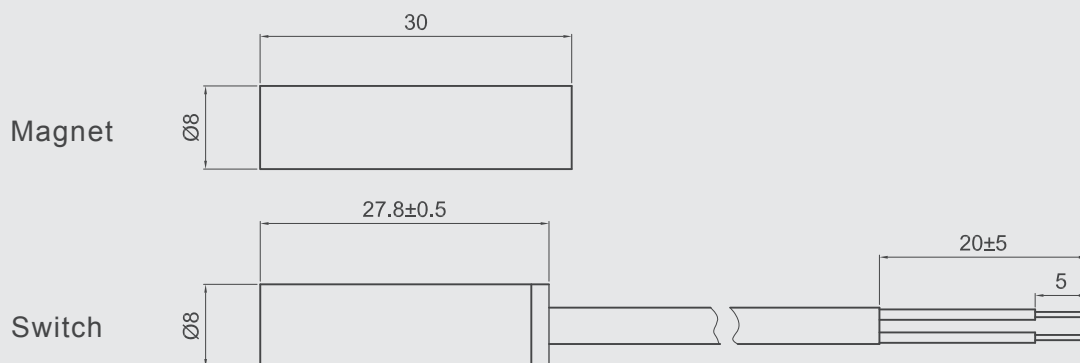
- ◀ Recessed Contact with Alnico magnet
- ◀ Jacked cable: 2,3,4,5 wires available
- ◀ Cable length: 2 meters,4 meters or longer
- ◀ Switch or magnet available separately
- ◀ Color: White, Brown or Grey

BR-1023



Dimension

(Unit:mm)



Order Information

Part Number	Loop Type	Reed Form	Closed Gap [Inch(mm)]	Depature Gap [Inch(mm)]	Maximum Initial Contact Resistance (Ohm)	Maximum Contact Rating (W)	Maximum Switching Voltage (VDC /VAC)	Maximum Switching Current (A)	Certification
BR-1023-J-2M	Closed	N/O	1(25)	1.05(26)	0.65	10	100	0.5	
BR-1023-UJ-2M	Closed& Supervisory	N/C	1(25)	1.05(26)	0.65	10	100	0.5	
BR-1023A-J-2M	Open	N/C	1(25)		0.65	3	30	0.2	
BR-1023C-J-2M	Open/Closed	SPDT	1(25)		0.65	3	30	0.2	

Notes:

“J” mean 2 wires jacked cable

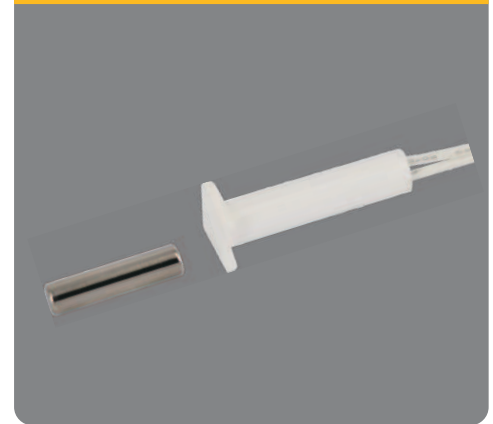
“UJ” mean 4wires jacked cable 2 wires for switch 2 wires for supevisory loop

RECESSED MOUNT

Specification

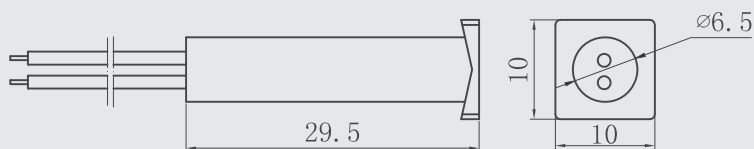
- ◀ 6.5 mm diameter switch with flange
- ◀ Wire: #22AWG 18" length
- ◀ Special wire available upon request
- ◀ Switch only available
- ◀ Different magnet available
- ◀ Color: White or Brown

BR-1025

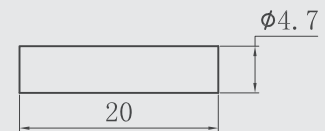


Dimension

(Unit:mm)



Switch



Magnet

Order Information

Part Number	Loop Type	Reed Form	Closed Gap [Inch(mm)]	Depature Gap [Inch(mm)]	Maximum Initial Contact Resistance (Ohm)	Maximum Contact Rating (W)	Maximum Switching Voltage (VDC/VAC)	Maximum Switching Current (A)	Certification
BR-1025	Closed	N/O	3/4(19)	0.8 (20)	0.20	10	100	0.5	
BR-1025A	Open	N/C	3/4(19)		0.20	3	30	0.2	
BR-1025C	Open/Closed	SPDT	3/4(19)		0.20	3	30	0.2	

RECESSED MOUNT

Specification

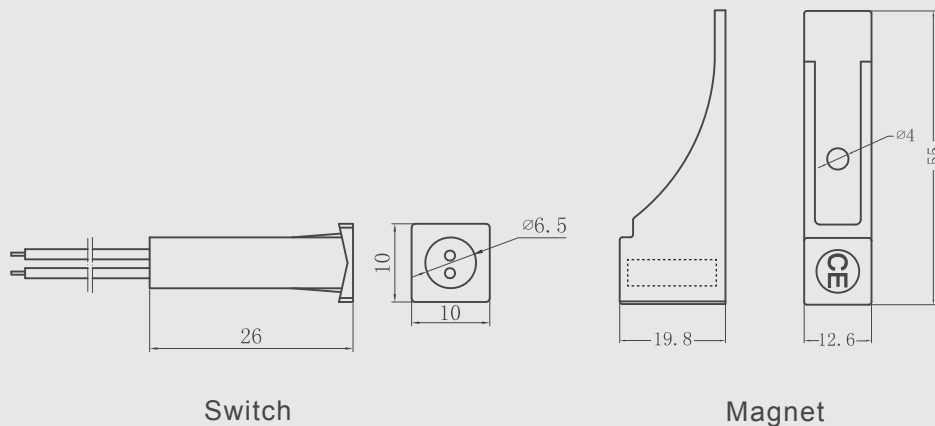
- ◀ 6.5 mm diameter switch with flange
- ◀ Suitable for big space between frames
- ◀ Wire: #22AWG 18" length
- ◀ Special wire available upon request
- ◀ Switch or magnet available separately
- ◀ Sticker included
- ◀ Color: White or Brown

BR-1026



Dimension

(Unit:mm)



Order Information

Part Number	Loop Type	Reed Form	Closed Gap [Inch(mm)]	Depature Gap [Inch(mm)]	Maximum Initial Contact Resistance (Ohm)	Maximum Contact Rating (W)	Maximum Switching Voltage (VDC /VAC)	Maximum Switching Current (A)	Certification
BR-1026	Closed	N/O	3/4(19)	0.8 (20)	0.20	10	100	0.5	
BR-1026A	Open	N/C	3/4(19)		0.20	3	30	0.2	
BR-1026C	Open/Closed	SPDT	3/4(19)		0.20	3	30	0.2	

Specification

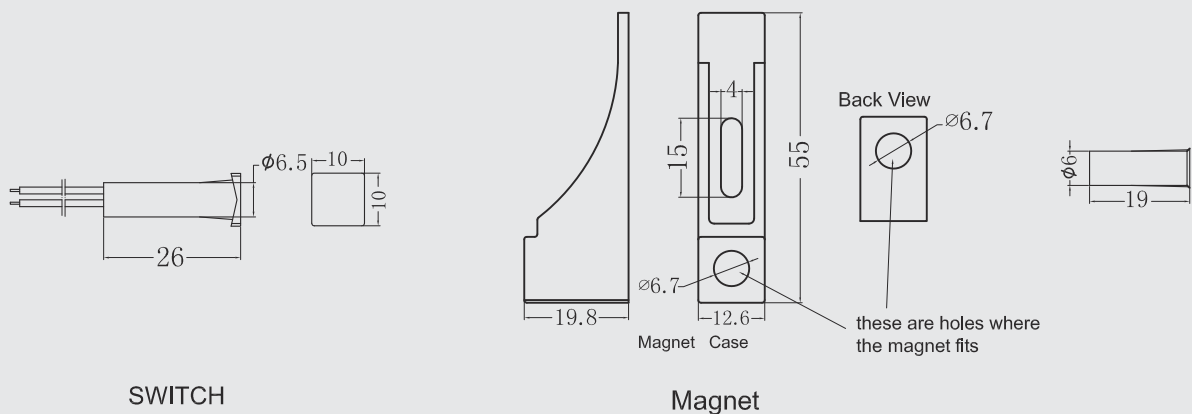
- ◀ 6.5 mm diameter switch with flange
- ◀ Suitable for big space between frames
- ◀ Wire: #22AWG 18" length
- ◀ Two directionalal installation available for magnet
- ◀ Switch or magnet available separately
- ◀ Color: White or Brown

BR-1027



Dimension

(Unit:mm)



Order Information

Part Number	Loop Type	Reed Form	Closed Gap [Inch(mm)]	Depature Gap [Inch(mm)]	Maximum Initial Contact Resistance (Ohm)	Maximum Contact Rating (W)	Maximum Switching Voltage (VDC /VAC)	Maximum Switching Current (A)	Certification
BR-1027	Closed	N/O	3/4(19)	0.8 (20)	0.20	10	100	0.5	
BR-1027A	Open	N/C	3/4(19)		0.20	3	30	0.2	
BR-1027C	Open/Closed	SPDT	3/4(19)		0.20	3	30	0.2	

Specification

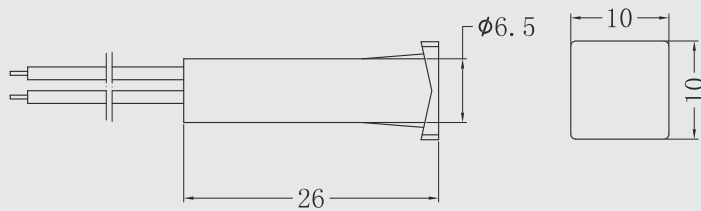
- ◀ 6.5 mm diameter switch with flange
- ◀ Suitable for big space between frames
- ◀ Wire: #22AWG 18" length
- ◀ Special wire available upon request
- ◀ Switch or magnet available separately
- ◀ Color: White or Brown

BR-1028

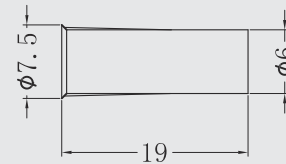


Dimension

(Unit:mm)



SWITCH



Magnet

Order Information

Part Number	Loop Type	Reed Form	Closed Gap [Inch(mm)]	Departure Gap [Inch(mm)]	Maximum Initial Contact Resistance (Ohm)	Maximum Contact Rating (W)	Maximum Switching Voltage (VDC /VAC)	Maximum Switching Current (A)	Certification
BR-1028	Closed	N/O	3/4(19)	0.8 (20)	0.20	10	100	0.5	
BR-1028A	Open	N/C	3/4(19)		0.20	3	30	0.2	
BR-1028C	Open / Closed	SPDT	3/4(19)		0.20	3	30	0.2	

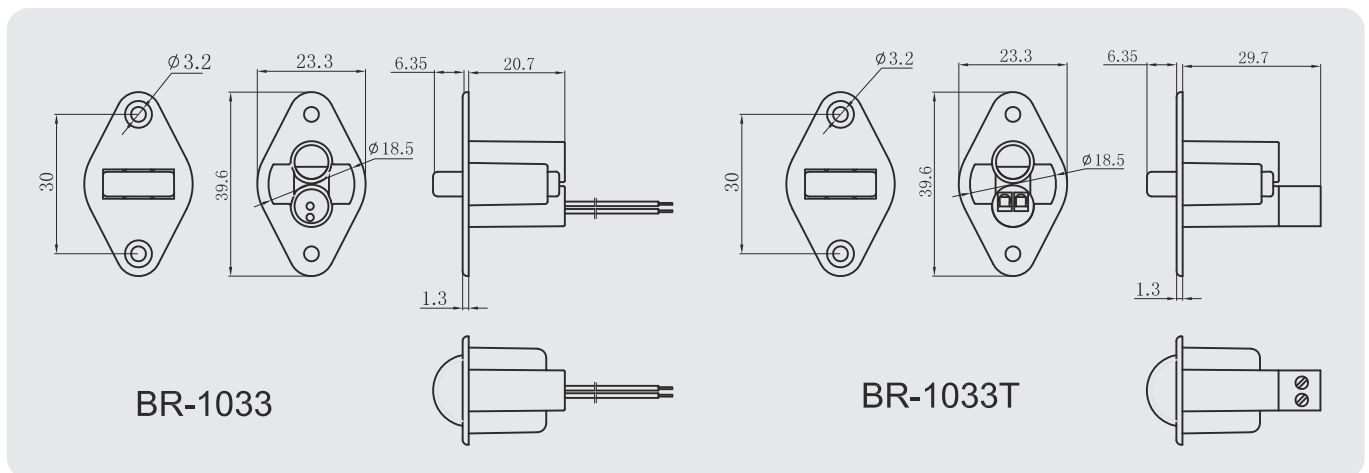
Specification:

- ◀ Plunger flush type
- ◀ 3/4" diameter
- ◀ Standard 18" #22AWG leads
- ◀ Special leads available
- ◀ Terminal block available (BR-1033T)
- ◀ Colors: White or Brown



Dimension

(Unit:mm)



Order Information

Part Number	Loop Type	Reed Form	Gap (total travel) [Inch (mm)]	Maximum Initial Contact Resistance (Ohm)	Maximum Contact Rating (W)	Maximum Switching Voltage (VDC)	Maximum Switching Current (A)	Certification
BR-1033	Closed	N/O	0.25 (6)	0.150	10	100	0.5	
BR-1033T	Closed	N/O	0.25 (6)	0.150	10	100	0.5	

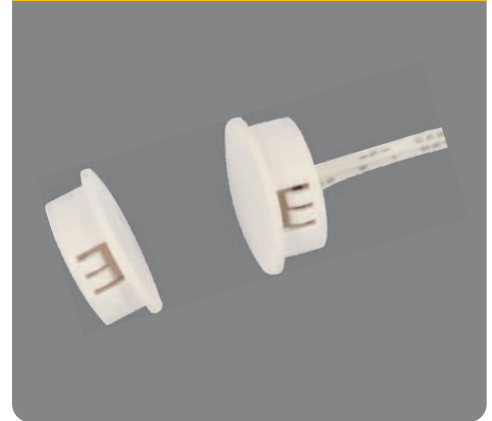
Note: 1. Total Travel: .236 inch (6mm) Pre Travel: .065+/-0.025 inch (1.65+/-0.60 mm)
 2. Wire range for terminal: #18~#22AWG

RECESSED MOUNT

Specification

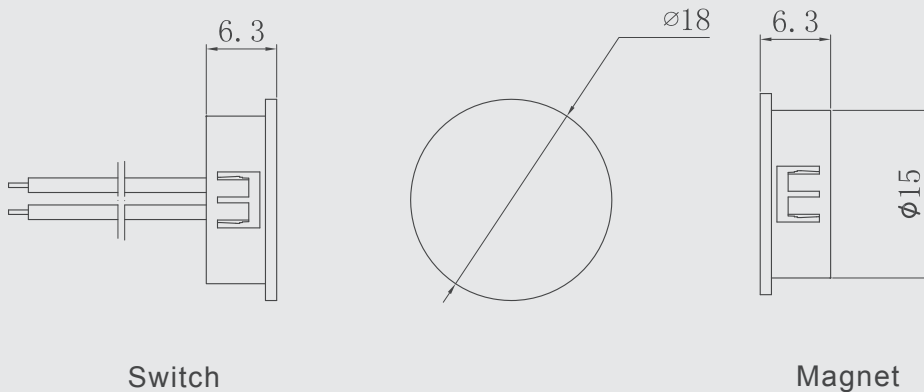
- ◀ 5/8" diameter miniature flush mounting
- ◀ Press fit
- ◀ Standard 18" #22AWG Leads
- ◀ Special leads upon request
- ◀ Switch or magnet are available separately
- ◀ Supervisory Loop available on request
- ◀ Correct orientation of magnet and contact is required for operation
- ◀ Colors: White, Brown or Grey

BR-1060



Dimension

(Unit:mm)



Order Information

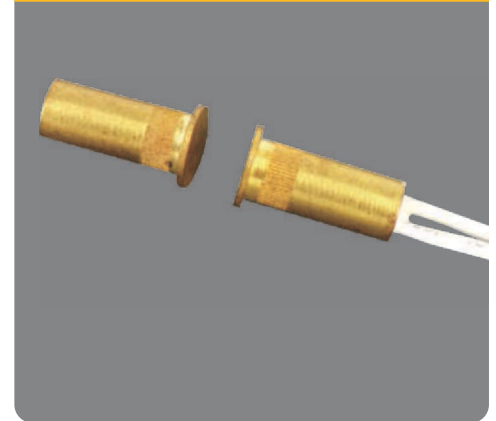
Part Number	Loop Type	Reed Form	Closed Gap [Inch(mm)]	Depature Gap [Inch(mm)]	Maximum Initial Contact Resistance (Ohm)	Maximum Contact Rating (W)	Maximum Switching Voltage (VDC /VAC)	Maximum Switching Current (A)	Certification
BR-1060	Closed	N/O	5/8(15)	0.8 (20)	0.20	10	100	0.5	

RECESSED MOUNT

Specification

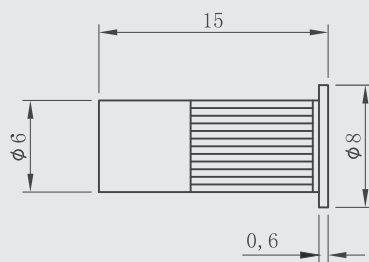
- ◀ 6 mm diameter switch with flange
- ◀ Flush mounting
- ◀ Compact dimensions for thin frames
- ◀ Copper body
- ◀ High mechanical resistance
- ◀ Wire: #22AWG 18" length
- ◀ Special wire or cable available upon request
- ◀ Suitable for aluminum, wood and PVC doors and windows

BR-1072

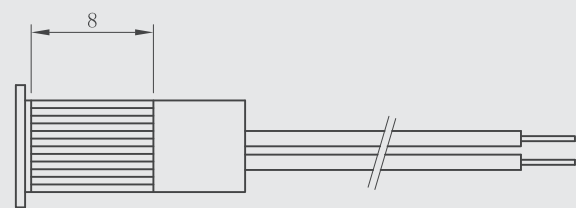
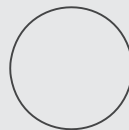


Dimension

(Unit:mm)



Magnet



Switch

Order Information

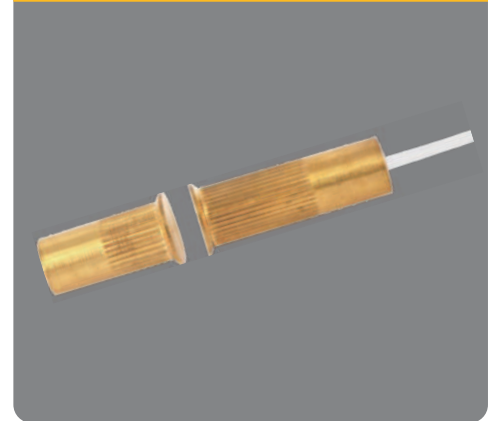
Part Number	Loop Type	Reed Form	Closed Gap [Inch(mm)]	Departure Gap [Inch(mm)]	Maximum Initial Contact Resistance (Ohm)	Maximum Contact Rating (W)	Maximum Switching Voltage (VDC / VAC)	Maximum Switching Current (A)	Certification
BR-1072	Closed	N/O	5/8(15)	0.7 (17)	0.20	10	100	0.5	
BR-1072A	Open	N/C	5/8(15)		0.20	3	30	0.2	
BR-1072C	Open/Closed	SPDT	5/8(15)		0.20	3	30	0.2	

RECESSED MOUNT

Specification

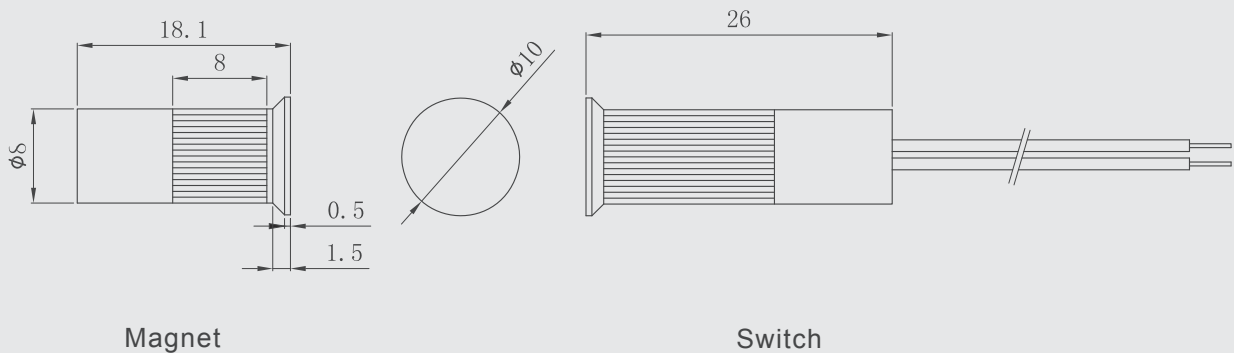
- ◀ 8 mm diameter switch with flange
- ◀ Flush mounting
- ◀ Compact dimensions for thin frames
- ◀ Copper body
- ◀ High mechanical resistance
- ◀ Wire: #22AWG 18" length
- ◀ Special wire or cable available upon request
- ◀ Suitable for aluminum, wood and PVC doors and windows

BR-1073



Dimension

(Unit:mm)



Magnet

Switch

Order Information

Part Number	Loop Type	Reed Form	Closed Gap [Inch(mm)]	Departure Gap [Inch(mm)]	Maximum Initial Contact Resistance (Ohm)	Maximum Contact Rating (W)	Maximum Switching Voltage (VDC /VAC)	Maximum Switching Current (A)	Certification
BR-1073	Closed	N/O	3/4(19)	0.8 (20)	0.20	10	100	0.5	
BR-1073A	Open	N/C	3/4(19)		0.20	3	30	0.2	
BR-1073C	Open/Closed	SPDT	3/4(19)		0.20	3	30	0.2	

Specification

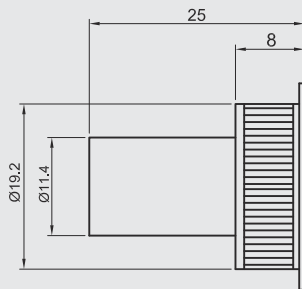
- ◀ 3/4" diameter Press to fit
- ◀ Flush mounting
- ◀ Compact dimensions for thin frames
- ◀ Copper body
- ◀ High mechanical resistance
- ◀ Wire: #22AWG 18" length
- ◀ Special wire or cable available upon request
- ◀ Suitable for steel ,aluminum, wood and PVC doorsand windows

BR-1074

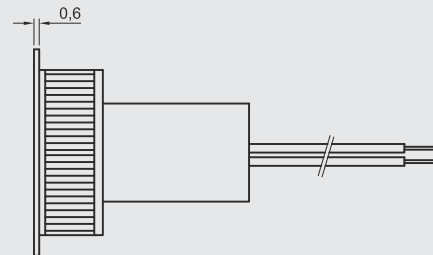
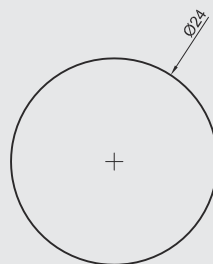


Dimension

(Unit:mm)



Magnet



Switch

Order Information

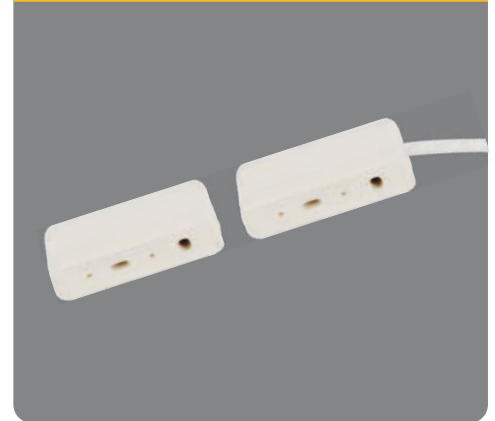
Part Number	Loop Type	Reed Form	Closed Gap In steel door [Inch(mm)]	Depature Gap [Inch(mm)]	Maximum Initial Contact Resistance (Ohm)	Maximum Contact Rating (W)	Maximum Switching Voltage (VDC /VAC)	Maximum Switching Current (A)	Certification
BR-1074	Closed	N/O	3/4(19) 1-1/2(35)in wood	0.8 (20)	0.20	10	100	0.5	
BR-1074A	Open	N/C	5/8(15)		0.20	3	30	0.2	
BR-1074C	Open / Closed	SPDT	5/8(15)		0.20	3	30	0.2	

SURFACE MOUNT

Specification

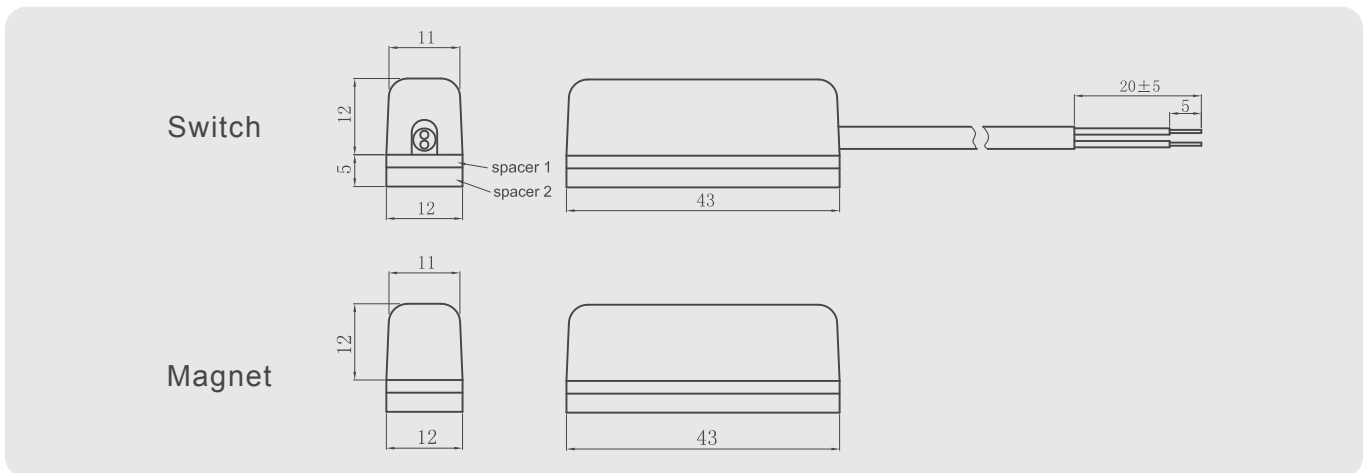
- ◀ Side or back cable orientation
- ◀ Jacked cable: 2,3,4,5 wires available
- ◀ Cable length: 2 meters,4 meters or longer
- ◀ Two kind of thickness spacer included
- ◀ Switch or magnet available separately
- ◀ Color: White, Brown or Grey

BS-2013



Dimension

(Unit:mm)



Order Information

Part Number	Loop Type	Reed Form	Closed Gap [Inch(mm)]	Departure Gap [Inch(mm)]	Maximum Initial Contact Resistance (Ohm)	Maximum Contact Rating (W)	Maximum Switching Voltage (VDC/VAC)	Maximum Switching Current (A)	Certification
BR-2013-J-2M	Closed	N/O	1(25)	1.05(26)	0.65	10	100	0.5	
BR-2013-UJ-2M	Closed& Supervisory	N/C	1(25)	1.05(26)	0.65	10	100	0.5	
BR-2013A-J-2M	Open	N/C	1(25)		0.65	3	30	0.2	
BR-2013C-J-2M	Open/Closed	SPDT	1(25)		0.65	3	30	0.2	

Notes:

“J” mean 2 wires jacked cable

“UJ” mean 4wires jacked cable 2 wires for switch 2 wires for supervisory loop

SURFACE MOUNT

Specification

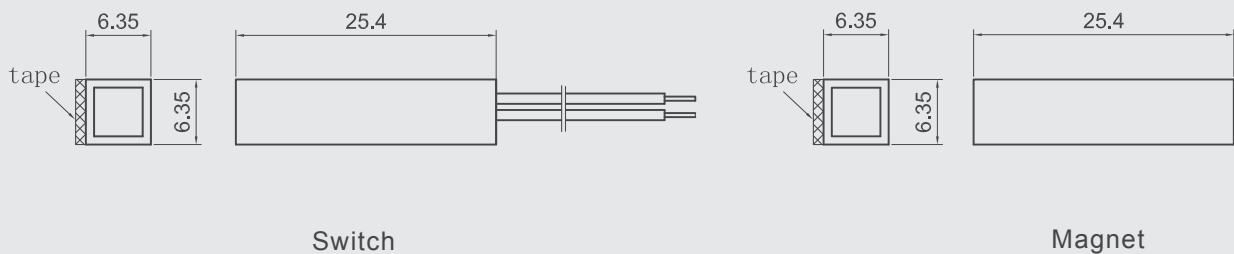
- ◀ Narrow contacts for where space has problem and big gap asked
- ◀ Side leads with #22AWG 18" length
- ◀ Adhesive tape included
- ◀ Resistor, Diode available
- ◀ Switch or magnet available separately
- ◀ Color: White, Brown or Grey

BS-2015



Dimension

(Unit:mm)



Order Information

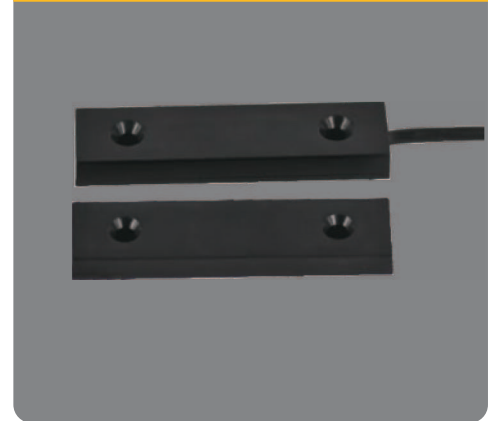
Part Number	Loop Type	Reed Form	Closed Gap [Inch(mm)]	Departure Gap [Inch(mm)]	Maximum Initial Contact Resistance (Ohm)	Maximum Contact Rating (W)	Maximum Switching Voltage (VDC /VAC)	Maximum Switching Current (A)	Certification
BS-2015	Closed	N/O	1(25)	1.05(27)	0.20	10	100	0.5	
BS-2015A	Open	N/C	1(25)		0.20	3	30	0.2	
BS-2015C	Open/Closed	SPDT	1(25)		0.20	3	30	0.2	

SURFACE MOUNT

Specification

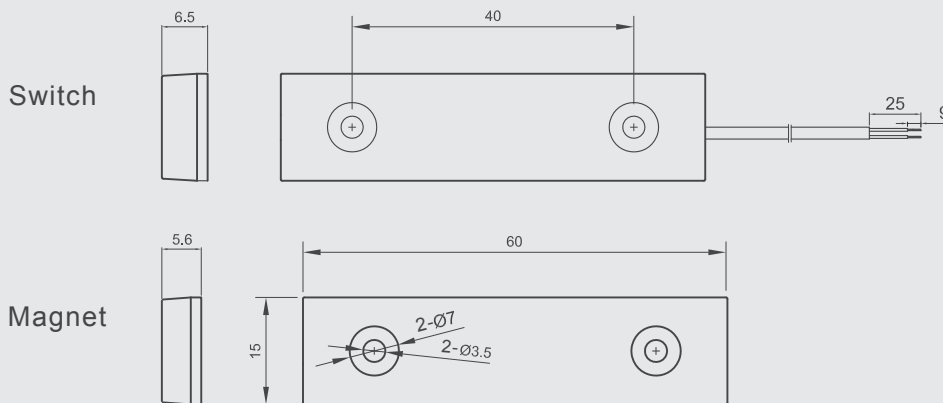
- ◀ Flat slim contacts for where minimum thickness required
- ◀ Concealed mounting, suitable for vending machine
- ◀ Side leads with #22AWG 18" length
- ◀ Screw mounting
- ◀ Resistor, Diode and Supervisory loop available
- ◀ Switch or magnet available separately
- ◀ Color: White, Brown or Black

BS-2017



Dimension

(Unit:mm)



Order Information

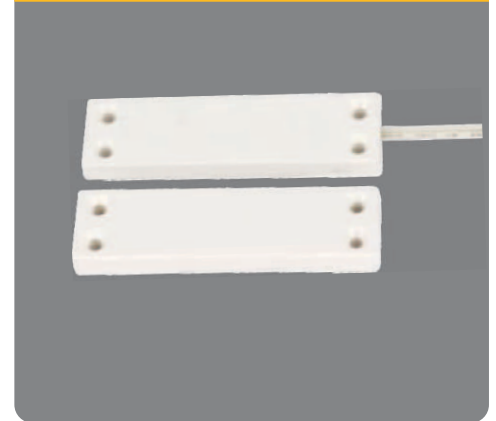
Part Number	Loop Type	Reed Form	Closed Gap [Inch(mm)]	Depature Gap [Inch(mm)]	Maximum Initial Contact Resistance (Ohm)	Maximum Contact Rating (W)	Maximum Switching Voltage (VDC /VAC)	Maximum Switching Current (A)	Certification
BS-2017	Closed	N/O	3/4(19)	0.78(20)	0.20	10	100	0.5	
BS-2017A	Open	N/C	3/4(19)		0.20	3	30	0.2	
BS-2017C	Open/Closed	SPDT	3/4(19)		0.20	3	30	0.2	

SURFACE MOUNT

Specification

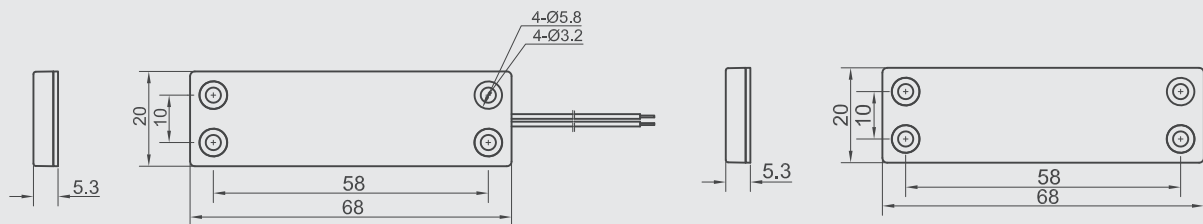
- ◀ Flat slim contacts for where minimum thickness required
- ◀ Concealed mounting, suitable for Vasistas fixtures
- ◀ Side leads with #22AWG 18" length
- ◀ 4-core cable available upon request
- ◀ Screws mounting
- ◀ Resistor, Diode available
- ◀ Switch or magnet available separately
- ◀ Color: White or Brown

BS-2018



Dimension

(Unit:mm)



Switch

Magnet

Order Information

Part Number	Loop Type	Reed Form	Closed Gap [Inch(mm)]	Departure Gap [Inch(mm)]	Maximum Initial Contact Resistance (Ohm)	Maximum Contact Rating (W)	Maximum Switching Voltage (VDC /VAC)	Maximum Switching Current (A)	Certification
BS-2018	Closed	N/O	1(25)	1.05 (26)	0.20	10	100	0.5	
BS-2018A	Open	N/C	1(25)		0.20	3	30	0.2	
BS-2018C	Open/Closed	SPDT	1(25)		0.20	3	30	0.2	

SURFACE MOUNT

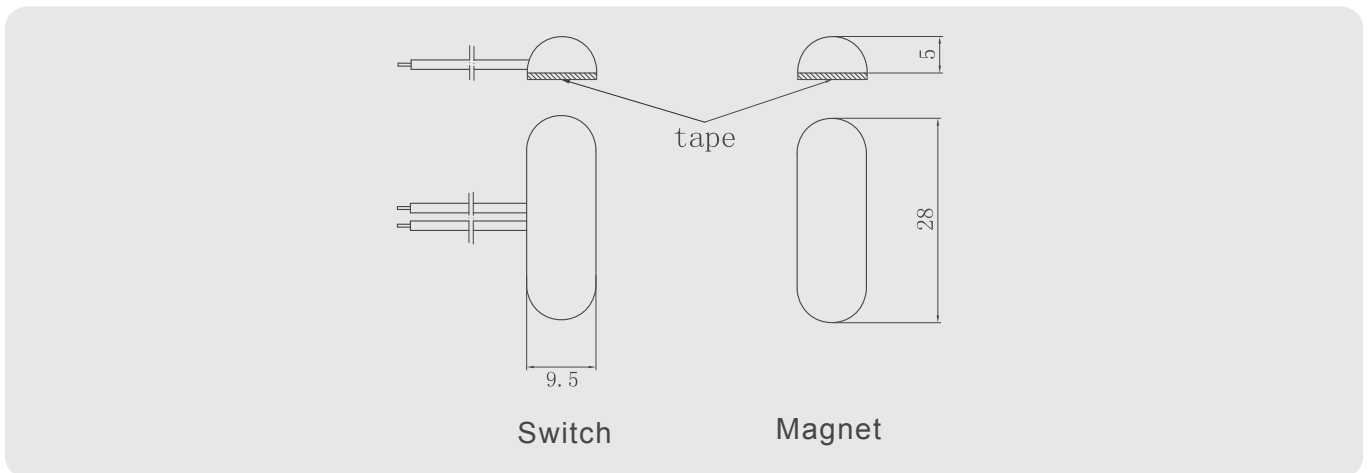
Specification

- ◀ Pill profile
- ◀ Narrow width allow for window track installs without drilling into the frames
- ◀ Centre leads with 22AWG 18" length
- ◀ Adhesive included
- ◀ Switch or magnet available separately
- ◀ Extra length wires available on request
- ◀ Colors: White, Brown, Grey or Tan



Dimension

(Unit:mm)



Order Information

Part Number	Loop Type	Reed Form	Closed Gap [Inch(mm)]	Depature Gap [Inch(mm)]	Maximum Initial Contact Resistance (Ohm)	Maximum Contact Rating (W)	Maximum Switching Voltage (VDC /VAC)	Maximum Switching Current (A)	Certification
BS-2026	Closed	N/O	3/4(19)	0.8(20)	0.20	10	100	0.5	
BS-2026A	Open	N/C	3/4(19)		0.20	3	30	0.2	

SURFACE MOUNT

Specification

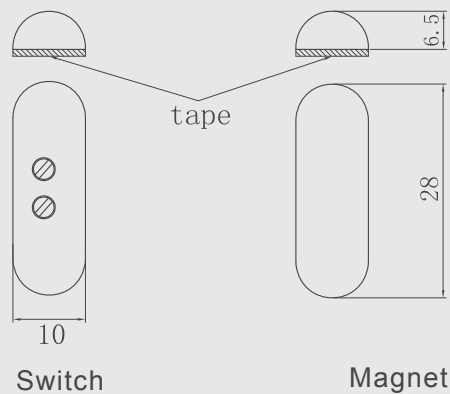
- ◀ Pill profile
- ◀ Narrow width allow for window track installs without drilling into the frames
- ◀ Quick connect terminal block
- ◀ Adhesive included
- ◀ Switch or magnet available separately
- ◀ Colors: White, Brown, Grey or Tan

BS-2026T



Dimension

(Unit:mm)



Order Information

Part Number	Loop Type	Reed Form	Closed Gap [Inch(mm)]	Departure Gap [Inch(mm)]	Maximum Initial Contact Resistance (Ohm)	Maximum Contact Rating (W)	Maximum Switching Voltage (VDC /VAC)	Maximum Switching Current (A)	Certification
BS-2026T	Closed	N/O	1(25)	1.05(27)	0.20	10	100	0.5	
BS-2026TA	Open	N/C	1(25)		0.20	3	30	0.2	

SURFACE MOUNT

Specification

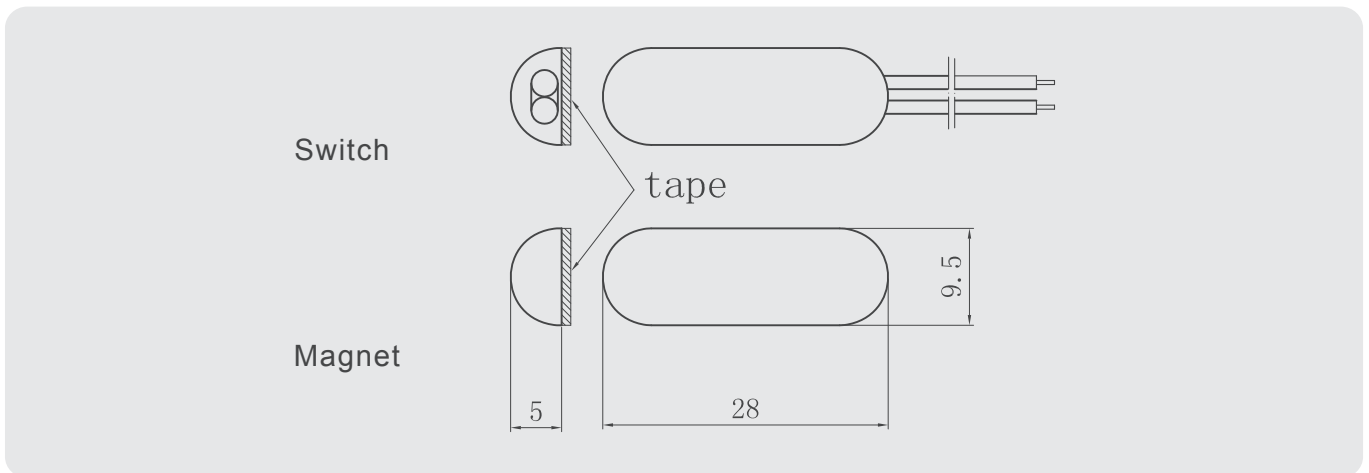
- ◀ Pill profile
- ◀ Narrow width allow for window track installs without drilling into the frames
- ◀ Side leads with 22AWG 18" length
- ◀ Adhesive included
- ◀ Switch or magnet available separately
- ◀ Extra length wires available on request
- ◀ Colors: White, Brown, Grey or Tan

BS-2027



Dimension

(Unit:mm)



Order Information

Part Number	Loop Type	Reed Form	Closed Gap [Inch(mm)]	Depature Gap [Inch(mm)]	Maximum Initial Contact Resistance (Ohm)	Maximum Contact Rating (W)	Maximum Switching Voltage (VDC /VAC)	Maximum Switching Current (A)	Certification
BS-2027	Closed	N/O	3/4(19)	0.85(21)	0.20	10	100	0.5	
BS-2027A	Open	N/C	3/4(19)		0.20	3	30	0.2	

SURFACE MOUNT

Specification

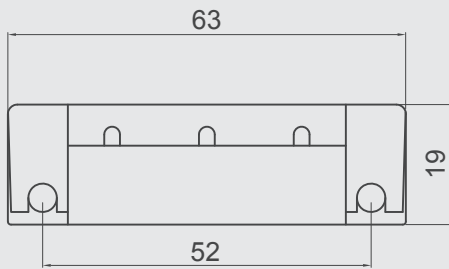
- ◀ 8 mm diameter switch with flange
- ◀ Flush mounting
- ◀ Compact dimensions for thin frames
- ◀ Copper body
- ◀ High mechanical resistance
- ◀ Wire: #22AWG 18" length
- ◀ Special wire or cable available upon request
- ◀ Suitable for aluminum, wood and PVC doors and windows

BS-2036

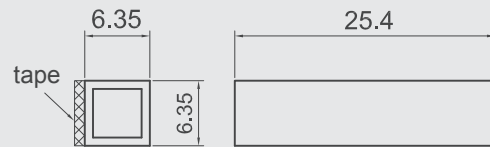


Dimension

(Unit:mm)



Switch



Magnet

Order Information

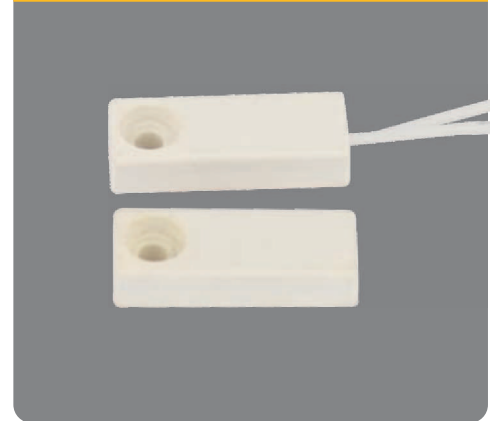
Part Number	Loop Type	Reed Form	Closed Gap [Inch(mm)]	Departure Gap [Inch(mm)]	Maximum Initial Contact Resistance (Ohm)	Maximum Contact Rating (W)	Maximum Switching Voltage (VDC/VAC)	Maximum Switching Current (A)	Certification
BS-2036	Closed	N/O	1(25)	1.05(27)	0.20	10	100	0.5	
BS-2036A	Open	N/C	7/8(22)		0.20	3	30	0.2	
BS-2036C	Open/Closed	SPDT	7/8(22)		0.20	3	30	0.2	

SURFACE MOUNT

Specification

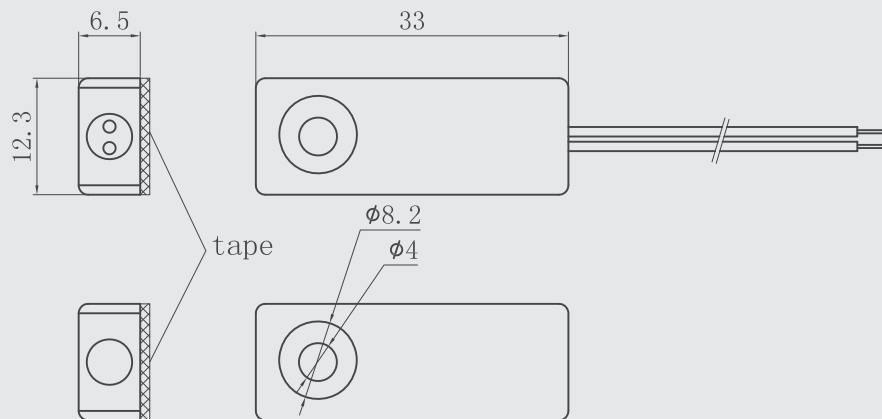
- ◀ Small sealed contact switch without flange
- ◀ Side leads with #22AWG 18" length
- ◀ For heavy mount on aluminum frame
- ◀ Adhesive tape available upon request
- ◀ Switch or magnet available separately
- ◀ Resistor, Diode and Supervisory loop available
- ◀ Color: White, Brown or Grey

BS-2062



Dimension

(Unit:mm)



Order Information

Part Number	Loop Type	Reed Form	Closed Gap [Inch(mm)]	Departure Gap [Inch(mm)]	Maximum Initial Contact Resistance (Ohm)	Maximum Contact Rating (W)	Maximum Switching Voltage (VDC /VAC)	Maximum Switching Current (A)	Certification
BS-2062	Closed	N/O	1(25)	1.05 (26)	0.20	10	100	0.5	
BS-2062A	Open	N/C	1(25)		0.20	3	30	0.2	
BS-2062C	Open/Closed	SPDT	1(25)		0.20	3	30	0.2	

SURFACE MOUNT

Specification

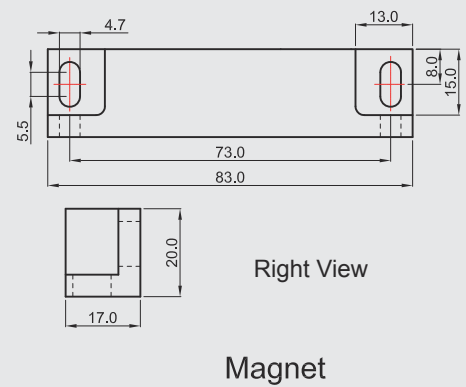
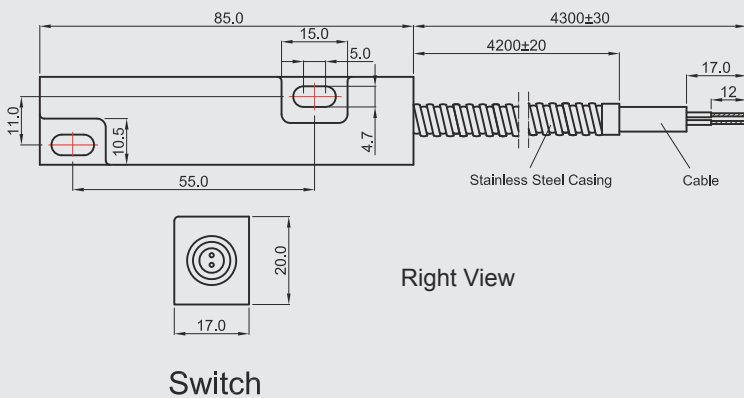
- ◀ Extrude aluminum casings for harsh environments
- ◀ Suitable for switching voltage below 230VAC
- ◀ Wire: #18AWG with 22" armored cable
- ◀ Longer cable available on request
- ◀ Switches or magnets are available separately
- ◀ Jacket cable available:BS-2073AC-J

BS-2073AC



Dimension

(Unit:mm)



Order Information

Part Number	Loop Type	Reed Form	Closed Gap [Inch(mm)]	Departure Gap [Inch(mm)]	Maximum Initial Contact Resistance (Ohm)	Maximum Contact Rating (VA)	Maximum Switching Voltage (VAC)	Maximum Switching Current (A)	Certification
BS-2073AC	Closed	N/O	0.75(19)	0.8(21)	500	500	230	4	

Specification

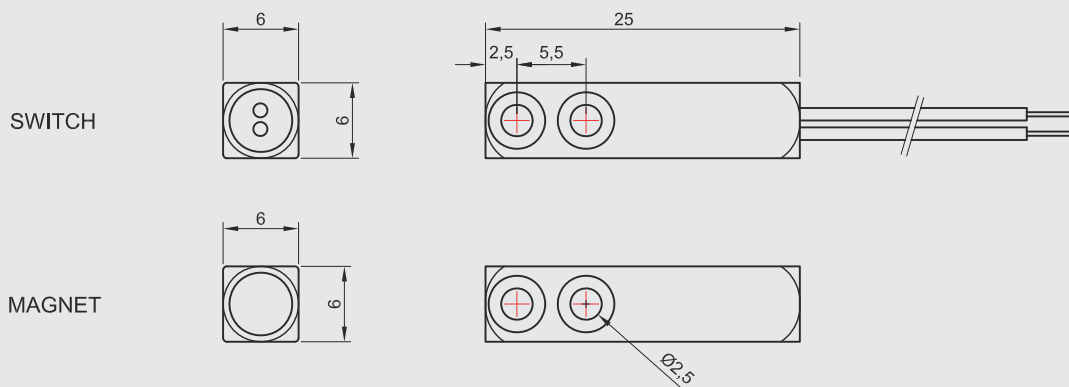
- ◀ Magnetic contacts
- ◀ Hermetically sealed with extruded aluminum housing for harsh environments
- ◀ Ideal for commercial application or industrial use
- ◀ Standard 18" #22AWG leads
- ◀ Longer leads available
- ◀ Supervisory Loop available on request

BS-2074



Dimension

(Unit:mm)



Order Information

Part Number	Loop Type	Reed Form	Closed Gap [Inch(mm)]	Departure Gap [Inch(mm)]	Maximum Initial Contact Resistance (Ohm)	Maximum Contact Rating (W)	Maximum Switching Voltage (VDC)	Maximum Switching Current (A)	Certification
BS-2074	Closed	N/O	1/2 (13)	5/8 (15)	0.150	10	100	0.5	

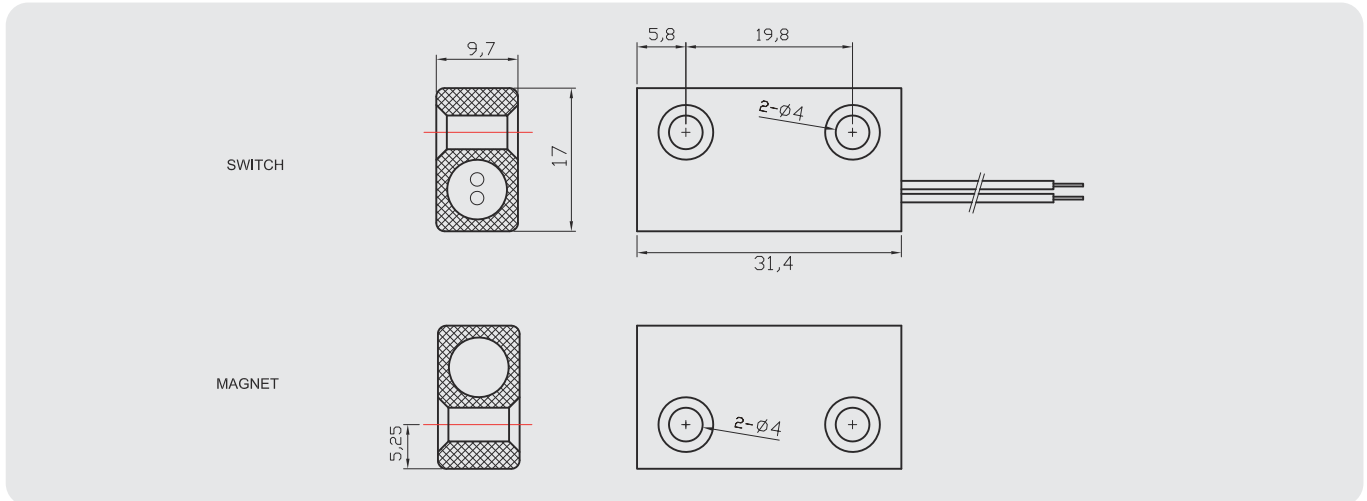
Specification:

- ◀ Metal magnetic contacts with extuder aluminum housing
- ◀ Ideal for commercial application or industrial use
- ◀ Screws included
- ◀ Standard 18" #22AWG leads
- ◀ Armored cable on request (BS-2075AR)
- ◀ Longer leads available
- ◀ Resistor, Diode and Supervisory Loop available on request
- ◀ Colors: Silver or Brown



Dimension

(Unit:mm)



Order Information

Part Number	Loop Type	Reed Form	Closed Gap [Inch(mm)]	Depature Gap [Inch(mm)]	Maximum Initial Contact Resistance (Ohm)	Maximum Contact Rating (W)	Maximum Switching Voltage (VDC)	Maximum Switching Current (A)	Certification
BS-2075	Closed	N/O	1 (25)	1.1 (27)	0.150	10	100	0.5	
BS-2075A	Open	N/C	0.8 (20)		0.150	3	30	0.2	
BS-2075C	Closed&Open	SPDT	0.8 (20)		0.150	3	30	0.2	

OVERHEAD/TRACK MOUNT

Specification

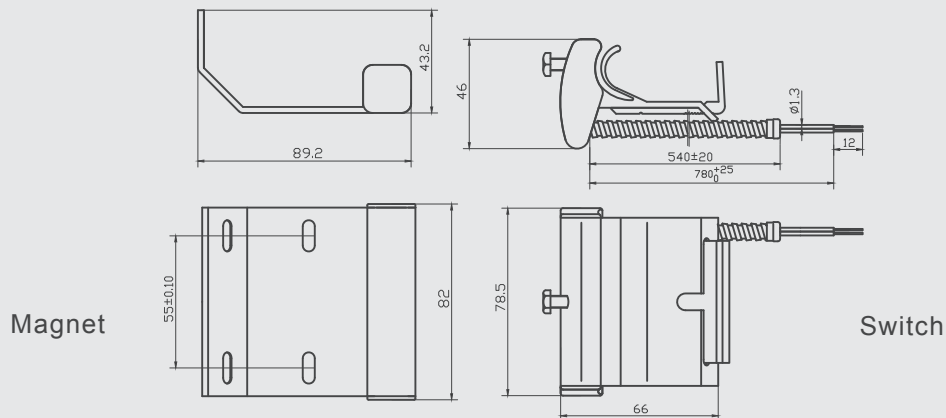
- ◀ Designed for panel or sectional style overhead doors
- ◀ Integrated multi position adjustable magnet bracket
- ◀ Reversible probe assembly
- ◀ Left or right installation
- ◀ 22" armored cable, longer available
- ◀ Hinge design for tighter clamping to track
- ◀ Self-drilling screws included for easy installation
- ◀ No special tools required for installation

BSD-3016



Dimension

(Unit:mm)



Order Information

Part Number	Loop Type	Reed Form	Closed Gap [Inch(mm)]	Departure Gap [Inch(mm)]	Maximum Initial Contact Resistance (Ohm)	Maximum Contact Rating (W)	Maximum Switching Voltage (VDC /VAC)	Maximum Switching Current (A)	Certification
BSD-3016	Closed	N/O	2.5(65)	2.65(67)	0.20	10	100	0.5	
BSD-3016A	Open	N/C	2.5(63)		0.20	3	30	0.2	
BSD-3016C	Open&Closed	SPDT	2.5(63)		0.20	3	30	0.2	
BSD-3016D	DPDT	2-SPDT	2.5(63)		0.20	3	30	0.2	

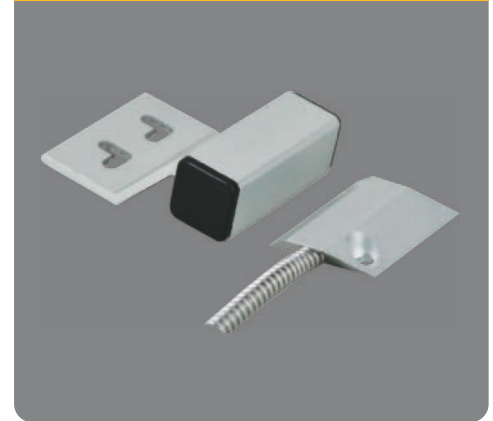
* These magnetic contact switches shall be installed so that a door or other movable opening cannot be opened more than 2

OVERHEAD DOOR CONTACT

Specification

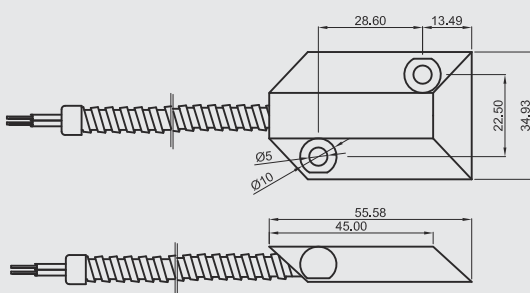
- ◀ Extude aluminum casings for harsh envrionments
- ◀ Small size
- ◀ Wire: #22AWG with 22" armored cable
- ◀ Longer cable available on request
- ◀ Switches or magnets are available separately
- ◀ Jacket cable available:BSD-3017-J
- ◀ Resistor, Diode and Supervisory Loop available on request

BSD-3017

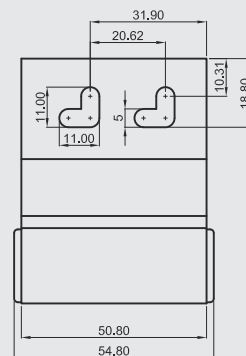
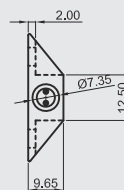


Dimension

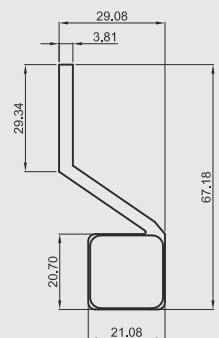
(Unit:mm)



Switch



Magnet



Order Information

Part Number	Loop Type	Reed Form	Closed Gap [Inch(mm)]	Depature Gap [Inch(mm)]	Maximum Initial Contact Resistance (Ohm)	Maximum Contact Rating (W)	Maximum Switching Voltage (VDC /VAC)	Maximum Switching Current (A)	Certification
BSD-3017	Closed	N/O	2.5(65)	2.65(67)	0.20	10	100	0.5	
BSD-3017A	Open	N/C	2.5(63)		0.20	3	30	0.2	
BSD-3017C	Open&Closed	SPDT	2.5(63)		0.20	3	30	0.2	

OVERHEAD DOOR CONTACT

Specification

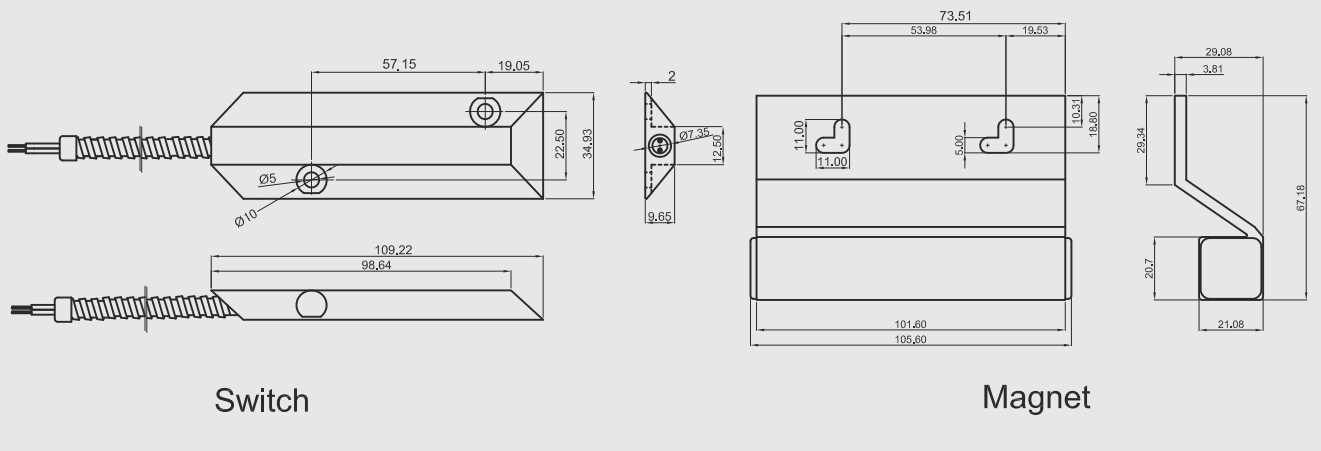
- ◀ Extude aluminum casings for harsh environments
- ◀ Wire: #22AWG with 22" armored cable
- ◀ Longer cable available on request
- ◀ Switches or magnets are available separately
- ◀ Jacket cable available:BSD-3018-J
- ◀ Resistor, Diode and Supervisory Loop available on request

BSD-3018



Dimension

(Unit:mm)



Order Information

Part Number	Loop Type	Reed Form	Closed Gap [Inch(mm)]	Depature Gap [Inch(mm)]	Maximum Initial Contact Resistance (Ohm)	Maximum Contact Rating (W)	Maximum Switching Voltage (VDC /VAC)	Maximum Switching Current (A)	Certification
BSD-3018	Closed	N/O	2.5(65)	2.65(67)	0.20	10	100	0.5	
BSD-3018A	Open	N/C	2.5(63)		0.20	3	30	0.2	
BSD-3018C	Open&Closed	SPDT	2.5(63)		0.20	3	30	0.2	

OVERHEAD DOOR CONTACT

Specification

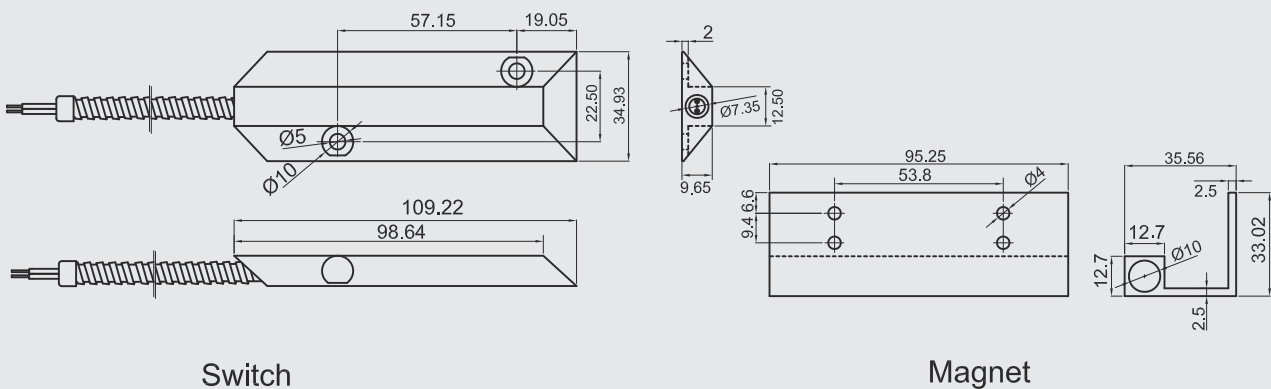
- ◀ Extude aluminum casings for harsh environments
- ◀ Wire: #22AWG with 22" armored cable
- ◀ Longer cable available on request
- ◀ Switches or magnets are available separately
- ◀ Jacket cable available: BSD-3019-J
- ◀ Resistor, Diode and Supervisory Loop available on request

BSD-3019



Dimension

(Unit:mm)



Order Information

Part Number	Loop Type	Reed Form	Closed Gap [Inch(mm)]	Depature Gap [Inch(mm)]	Maximum Initial Contact Resistance (Ohm)	Maximum Contact Rating (W)	Maximum Switching Voltage (VDC /VAC)	Maximum Switching Current (A)	Certification
BSD-3019	Closed	N/O	2.5(65)	2.65(67)	0.20	10	100	0.5	
BSD-3019A	Open	N/C	2.5(63)		0.20	3	30	0.2	
BSD-3019C	Open&Closed	SPDT	2.5(63)		0.20	3	30	0.2	

Specification

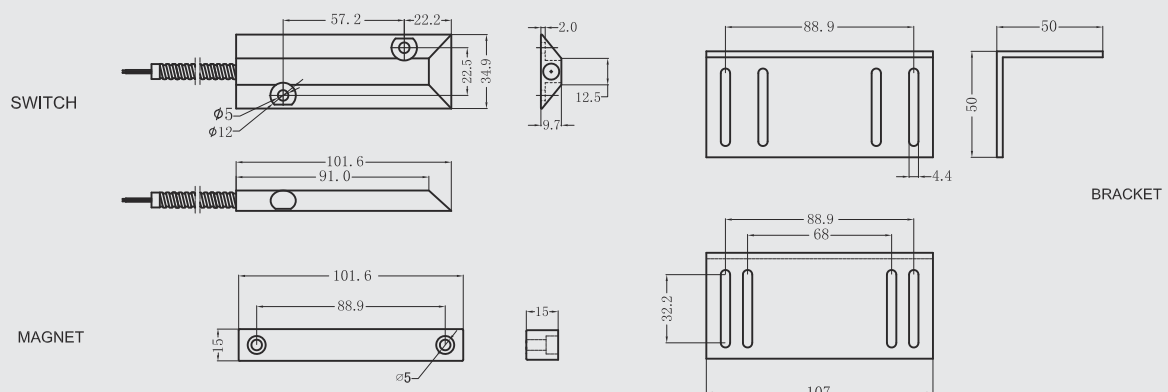
- ◀ Extrude aluminum casting for harsh environment
- ◀ Wire: #22AWG with 22" armored cable
- ◀ Longer cable available on request
- ◀ Optional " L " bracket
- ◀ Resistor, Diode and Supervisory Loop available on request

BSD-3020



Dimension

(Unit:mm)



Order Information

Part Number	Loop Type	Reed Form	Closed Gap [Inch(mm)]	Departure Gap [Inch(mm)]	Maximum Initial Contact Resistance (Ohm)	Maximum Contact Rating (W)	Maximum Switching Voltage (VDC)	Maximum Switching Current (A)	Certification
BSD-3020	Closed	N/O	2.6 (65)	2.66 (66)	0.150	7.5	100	0.4	
BSD-3020WG	Closed	N/O	3 1/4 (80)	3.5 (88)	0.150	7.5	100	0.4	
BSD-3020A	Open	N/C	2 1/2 (65)		0.150	3	30	0.2	
BSD-3020C	Closed & Open	N/C	2 1/2 (65)		0.150	3	30	0.2	

* These magnetic contact switches shall be installed so that a door or other movable opening cannot be opened more than 2 inches (51mm) without initiating an alarm. Switches exceeding 2 inches can not be installed per UL681-the Standard for installation and Classification of Burglar and Holdup Alarm

OVERHEAD DOOR CONTACT

Specification

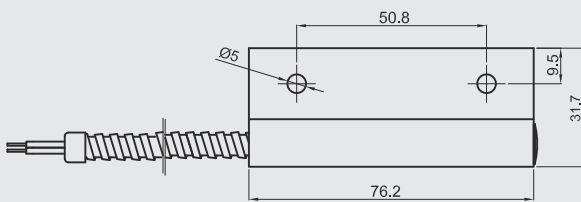
- ◀ Extude aluminum casings for harsh envrionments
- ◀ Wire: #22AWG with 22" armored cable
- ◀ Longer cable available on request
- ◀ Switches or magnets are available separately
- ◀ Jacket cable available:BSD-3021-J
- ◀ Resistor, Diode and Supervisory Loop available on request

BSD-3021

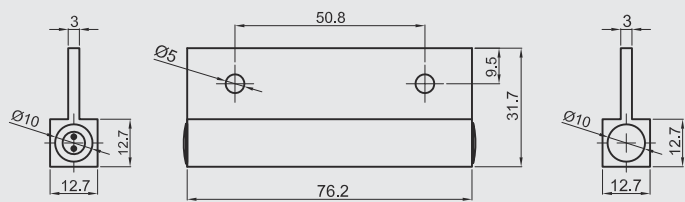


Dimension

(Unit:mm)



Switch



Magnet

Order Information

Part Number	Loop Type	Reed Form	Closed Gap [Inch(mm)]	Depature Gap [Inch(mm)]	Maximum Initial Contact Resistance (Ohm)	Maximum Contact Rating (W)	Maximum Switching Voltage (VDC /VAC)	Maximum Switching Current (A)	Certification
BSD-3021	Closed	N/O	2.75(70)	2.85(72)	0.20	10	100	0.5	
BSD-3021A	Open	N/C	2.5(63)		0.20	3	30	0.2	
BSD-3021C	Open&Closed	SPDT	2.5(63)		0.20	3	30	0.2	

OVERHEAD DOOR CONTACT

Specification

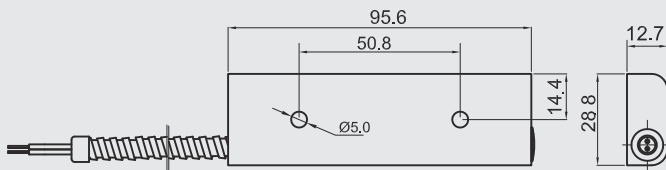
- ◀ Extude aluminum casings for harsh environments
- ◀ Wire: #22AWG with 22" armored cable
- ◀ Longer cable available on request
- ◀ Switches or magnets are available separately
- ◀ Jacket cable available:BSD-3022-J
- ◀ Resistor, Diode and Supervisory Loop available on request

BSD-3022

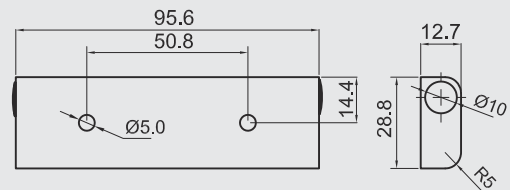


Dimension

(Unit:mm)



Switch



Magnet

Order Information

Part Number	Loop Type	Reed Form	Closed Gap [Inch(mm)]	Depature Gap [Inch(mm)]	Maximum Initial Contact Resistance (Ohm)	Maximum Contact Rating (W)	Maximum Switching Voltage (VDC /VAC)	Maximum Switching Current (A)	Certification
BSD-3022	Closed	N/O	3(75)	3.05(77)	0.20	10	100	0.5	
BSD-3022A	Open	N/C	2.5(63)		0.20	3	30	0.2	
BSD-3022C	Open&Closed	SPDT	2.5(63)		0.20	3	30	0.2	

SURFACE MOUNT

Specification

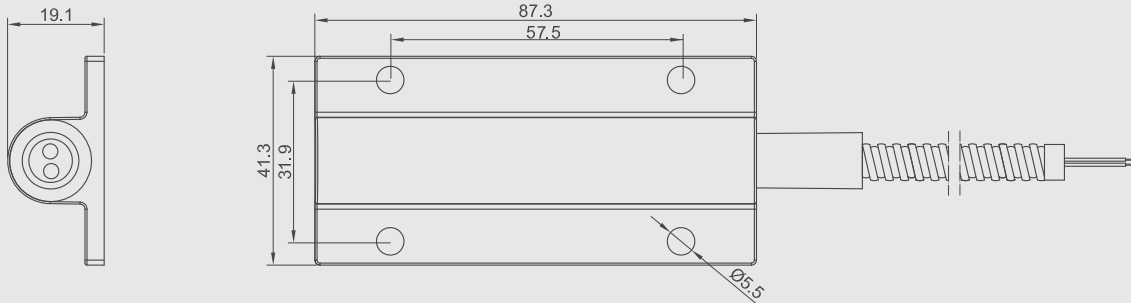
- ◀ Surface mount Pull Apart Switch set
- ◀ Heavy Duty design for outdoor usage
- ◀ Great for Marina, Truck docks, Portable Goods
- ◀ Installs easily and quickly
- ◀ 36" Armored Cable
- ◀ Resistor, Diode and Supervisory Loop available on request
- ◀ Brown, Grey available

BP-4100



Dimension

(Unit:mm)



Order Information

Part Number	Loop Type	Reed Form	Closed Gap [Inch(mm)]	Depature Gap [Inch(mm)]	Maximum Initial Contact Resistance (Ohm)	Maximum Contact Rating (W)	Maximum Switching Voltage (VDC/VAC)	Maximum Switching Current (A)	Certification
BP-4100	Closed	N/O			0.20	10	100	0.5	
BP-4100A	Open	N/C			0.20	3	30	0.2	
BP-4100C	Open&Closed	SPDT			0.20	3	30	0.2	